

Standard Bulkhead Connector Kit

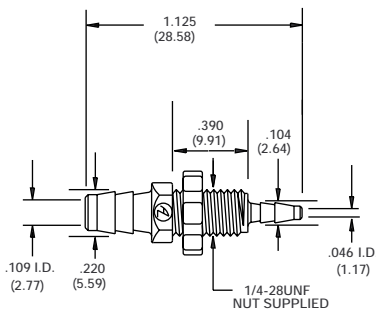


Air Logic offers two models of Standard Bulkhead Connectors, the reducing and the straight bulkhead connector. The connectors join 1/16", 1/8" or .170 I.D. flexible tubing. The bulkhead connectors are panel mounted by tightening a 1/4-28 UNF threaded nut onto the external threads of the bulkhead.

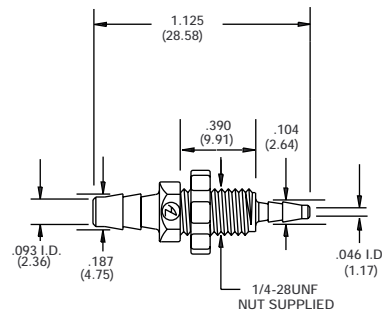
F-3100 Standard Bulkhead Connector Kit

The F-3100 Standard Bulkhead Assortment kit offer three sizes of reducing and straight bulkhead connectors. There are two of each connector included in this kit.

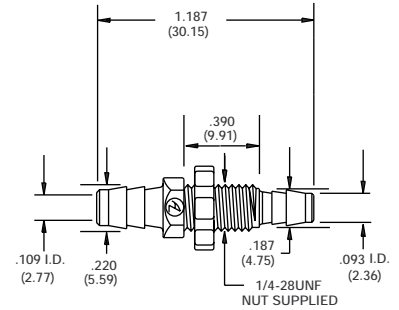
Part No.	Description
F-3100-68	Reducer for .170 to 1/16" I.D. Tubing
F-3100-70	Reducer for 1/8" to 1/16" I.D. Tubing
F-3100-71	Reducer for .170 to 1/8" I.D. Tubing
F-3100-80	Barb for 1/16" I.D. Tubing
F-3100-85	Barb for 1/8" I.D. Tubing
F-3100-86	Barb for .170 I.D. Tubing



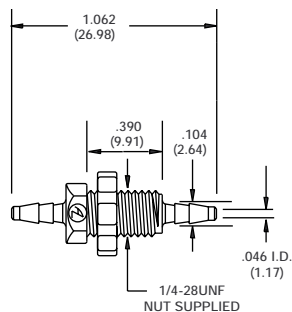
F-3100-68
Reducing Bulkhead Connector



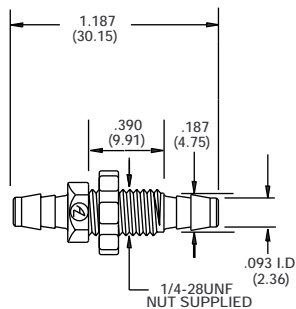
F-3100-70
Reducing Bulkhead Connector



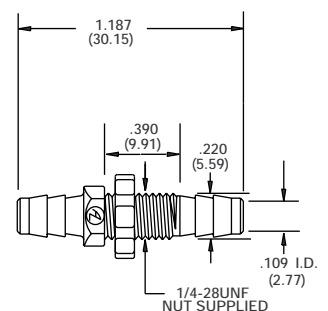
F-3100-71
Reducing Bulkhead Connector



F-3100-80
Straight Bulkhead Connector



F-3100-85
Straight Bulkhead Connector



F-3100-86
Straight Bulkhead Connector