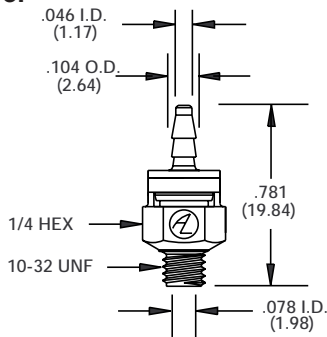


Straight Swivel Fittings

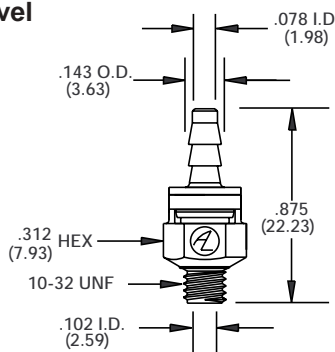
Patent #4,946,204

F-3150-80 Straight Swivel



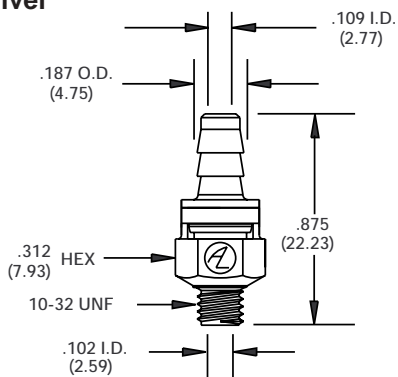
For 10-32 UNF x 1/16" I.D. flexible tubing. Swivels 360°.
Buna-N o-ring seal.
Material: Nylon.

F-3150-83 Straight Swivel



For 10-32 UNF x 3/32" I.D. flexible tubing. Swivels 360°.
Buna-N o-ring seal.
Material: Nylon.

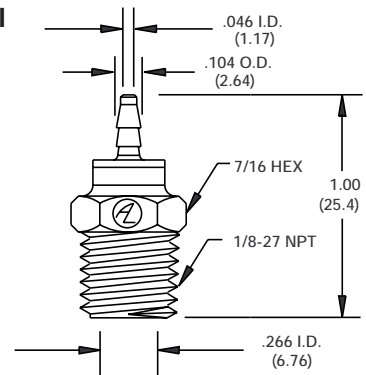
F-3150-85 Straight Swivel



For 10-32 UNF x 1/8" I.D. flexible tubing. Swivels 360°.
Buna-N o-ring seal.
Material: Nylon.

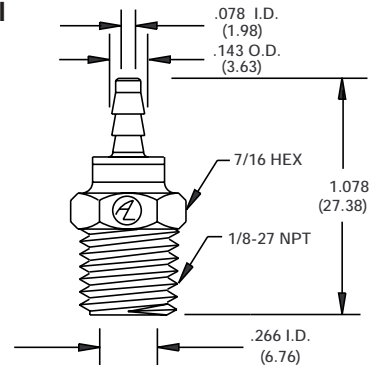
() = Metric Dimensions

F-3250-80 Straight Swivel



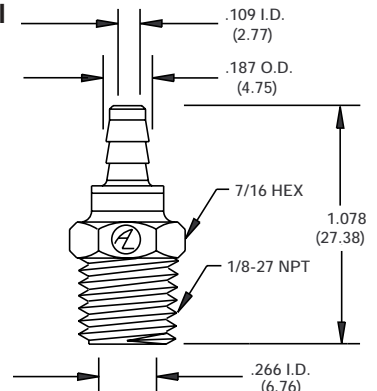
For 1/8-27 NPT x 1/16" I.D. flexible tubing. Swivels 360°.
Buna-N o-ring seal.
Material: Nylon.

F-3250-83 Straight Swivel



For 1/8-27 NPT x 3/32" I.D. flexible tubing. Swivels 360°.
Buna-N o-ring seal.
Material: Nylon.

F-3250-85 Straight Swivel



For 1/8-27 NPT x 1/8" I.D. flexible tubing. Swivels 360°.
Buna-N o-ring seal.
Material: Nylon.

() = Metric Dimensions