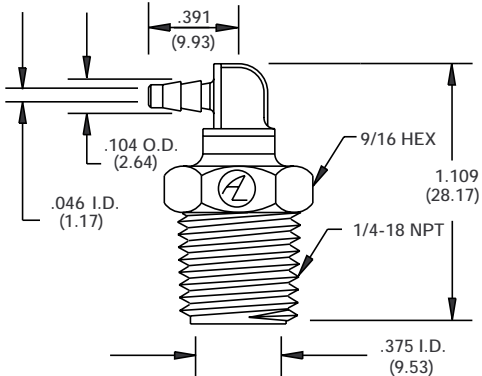


# Swivel Elbow & Tee Fittings

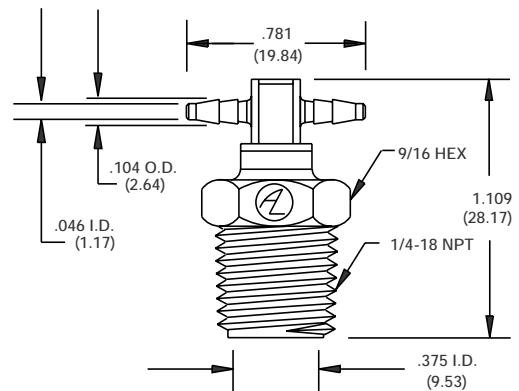
Patent #4,946,204

**F-3354-80**  
Swivel Elbow



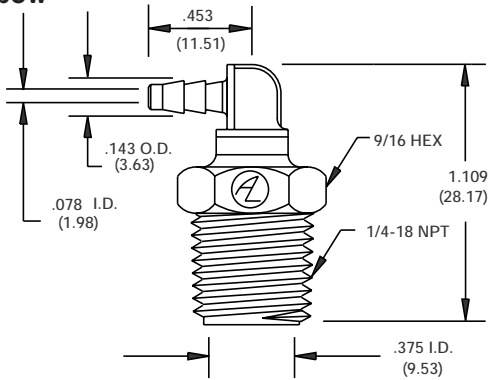
For 1/4-18 NPT x 1/16" I.D. flexible tubing. Swivels 360°.  
Buna-N o-ring seal.  
Material: Nylon.

**F-3355-80**  
Swivel Tee



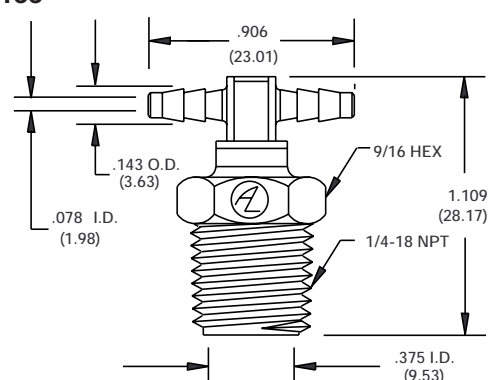
For 1/4-18 NPT x 1/16" I.D. flexible tubing. Swivels 360°.  
Buna-N o-ring seal.  
Material: Nylon.

**F-3354-83**  
Swivel Elbow



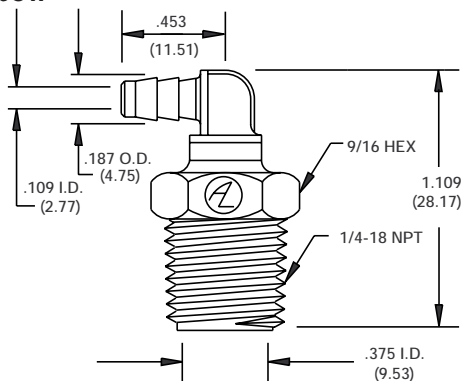
For 1/4-18 NPT x 3/32" I.D. flexible tubing. Swivels 360°.  
Buna-N o-ring seal.  
Material: Nylon.

**F-3355-83**  
Swivel Tee



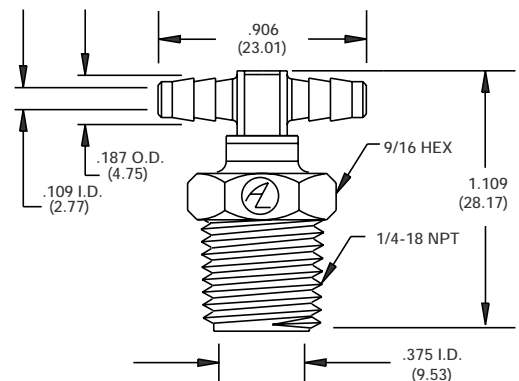
For 1/4-18 NPT x 3/32" I.D. flexible tubing. Swivels 360°.  
Buna-N o-ring seal.  
Material: Nylon.

**F-3354-85**  
Swivel Elbow



For 1/4-18 NPT x 1/8" I.D. flexible tubing. Swivels 360°.  
Buna-N o-ring seal.  
Material: Nylon.

**F-3355-85**  
Swivel Tee



For 1/4-18 NPT x 1/8" I.D. flexible tubing. Swivels 360°.  
Buna-N o-ring seal.  
Material: Nylon.

( ) = Metric Dimensions

( ) = Metric Dimensions