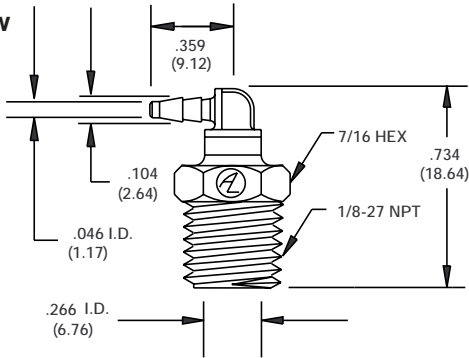


# Swivel Elbow & Tee Fittings

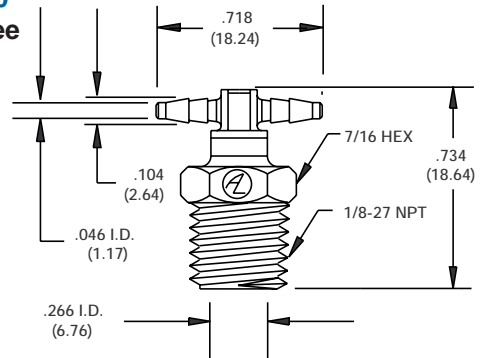
Patent #4,946,204

**F-3254-80**  
**Swivel Elbow**



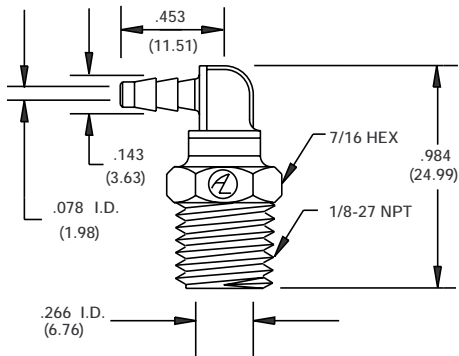
For 1/8-27 NPT x 1/16" I.D. flexible tubing. Swivels 360°.  
Buna-N o-ring seal.  
Material: Nylon.

**F-3255-80**  
**Swivel Tee**



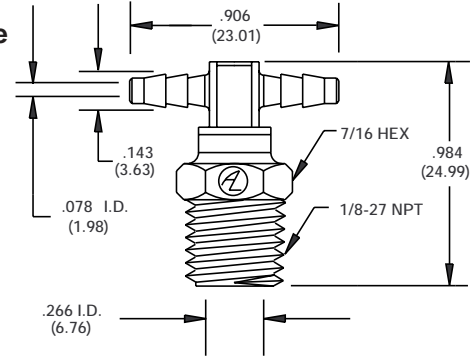
For 1/8-27 NPT x 1/16" I.D. flexible tubing. Swivels 360°.  
Buna-N o-ring seal.  
Material: Nylon.

**F-3254-83**  
**Swivel Elbow**



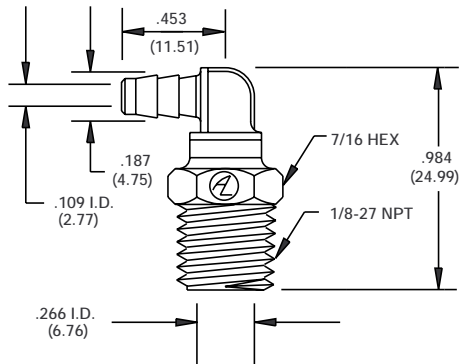
For 1/8-27 NPT x 3/32" I.D. flexible tubing. Swivels 360°.  
Buna-N o-ring seal.  
Material: Nylon.

**F-3255-83**  
**Swivel Tee**



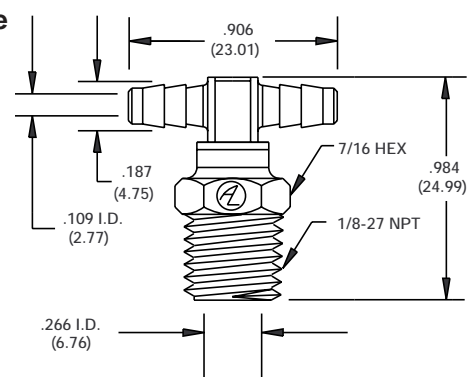
For 1/8-27 NPT x 3/32" I.D. flexible tubing. Swivels 360°.  
Buna-N o-ring seal.  
Material: Nylon.

**F-3254-85**  
**Swivel Elbow**



For 1/8-27 NPT x 1/8" I.D. flexible tubing. Swivels 360°.  
Buna-N o-ring seal.  
Material: Nylon.

**F-3255-85**  
**Swivel Tee**



For 1/8-27 NPT x 1/8" I.D. flexible tubing. Swivels 360°.  
Buna-N o-ring seal.  
Material: Nylon.

( ) = Metric Dimensions

( ) = Metric Dimensions