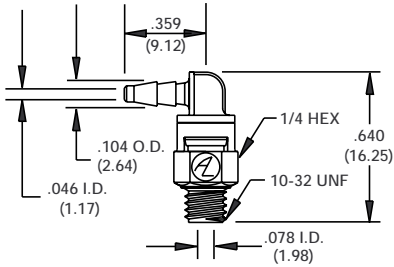


Swivel Elbow & Tee Fittings

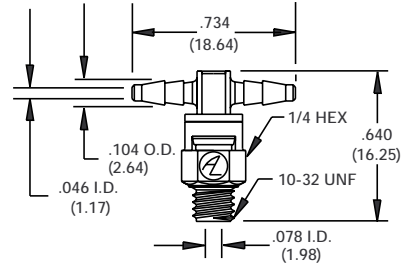
Patent #4,946,204

F-3154-80 Swivel Elbow



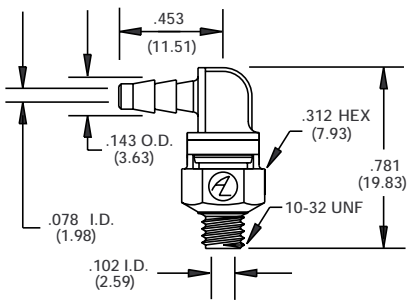
For 10-32 UNF x 1/16" I.D. flexible tubing. Swivels 360°.
Buna-N o-ring seal.
Material: Nylon.

F-3155-80 Swivel Tee



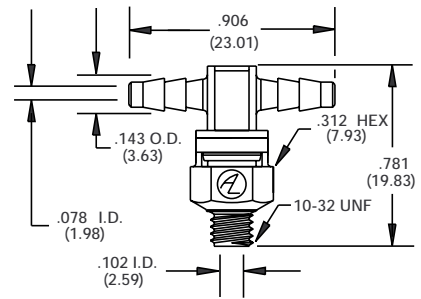
For 10-32 UNF x 1/16" I.D. flexible tubing. Swivels 360°.
Buna-N o-ring seal.
Material: Nylon.

F-3154-83 Swivel Elbow



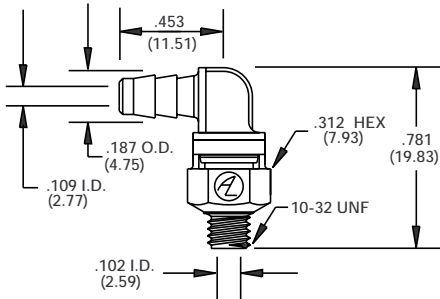
For 10-32 UNF x 3/32" I.D. flexible tubing. Swivels 360°.
Buna-N o-ring seal.
Material: Nylon.

F-3155-83 Swivel Tee



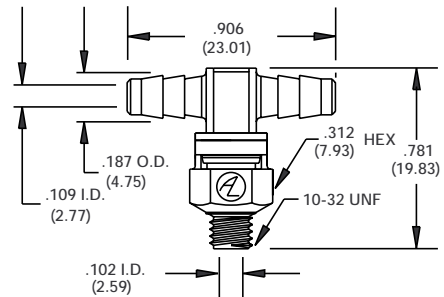
For 10-32 UNF x 3/32" I.D. flexible tubing. Swivels 360°.
Buna-N o-ring seal.
Material: Nylon.

F-3154-85 Swivel Elbow



For 10-32 UNF x 1/8" I.D. flexible tubing. Swivels 360°.
Buna-N o-ring seal.
Material: Nylon.

F-3155-85 Swivel Tee



For 10-32 UNF x 1/8" I.D. flexible tubing. Swivels 360°.
Buna-N o-ring seal.
Material: Nylon.

() = Metric Dimensions

() = Metric Dimensions