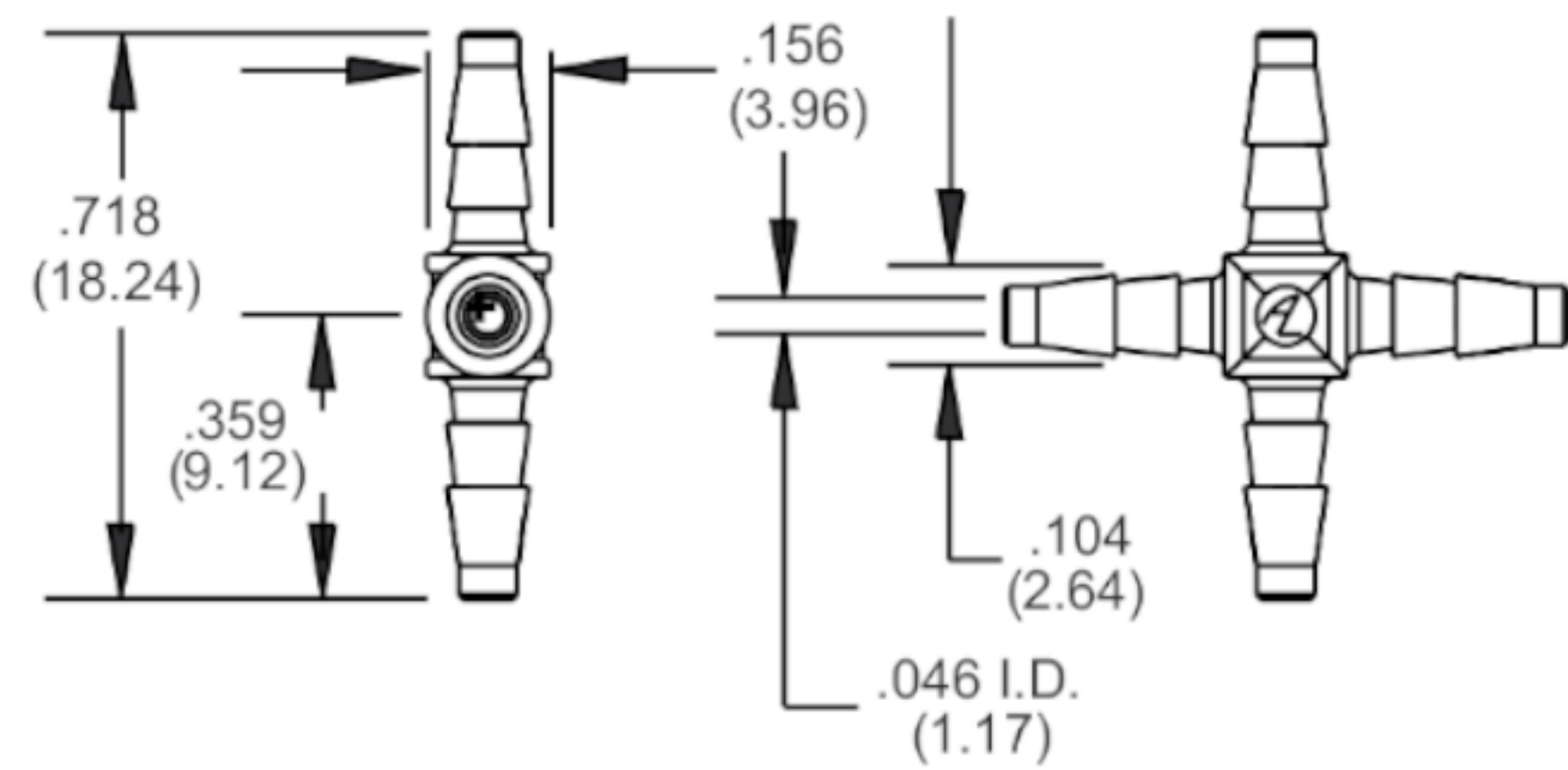


F-3146-80



F-3146-85

