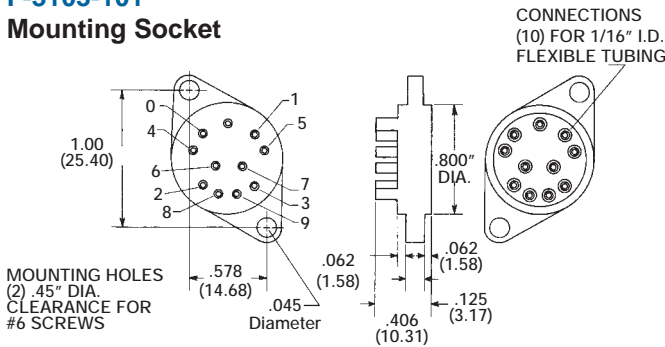


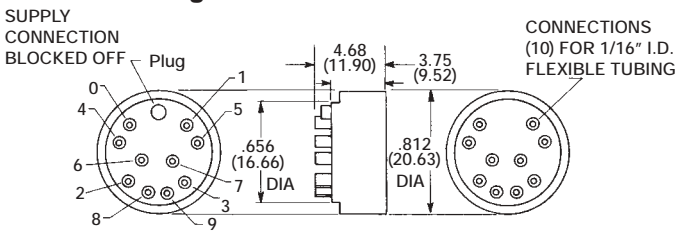
Standard Bulkhead Connectors

F-3103-Series 10 Tube Connector

F-3103-101 Mounting Socket



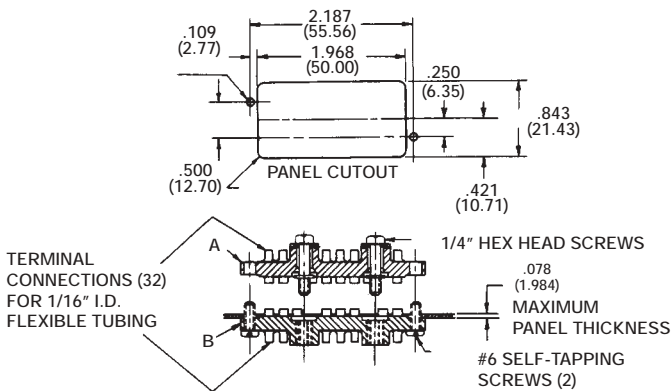
F-3103-102 Connector Plug



The F-3103-101 Mounting Socket and F-3103-102 Connector Plug form a ten tube connector when used together. The Mounting Socket may be panel or bulkhead mounted. Order each separately by model number.

Material: Polysulfone.

F-3103-320 32 Tube Connector



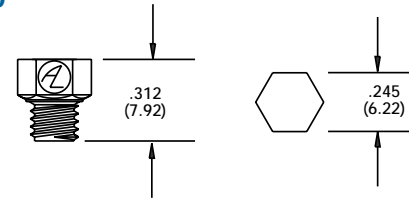
The Connector joins up to 32 tubes of 1/16" I.D. tubing. The connector is joined together by two hex head screws and can be panel mounted. Material: Polysulfone.

() = Metric Dimensions

Please Read Warranty on Page 11

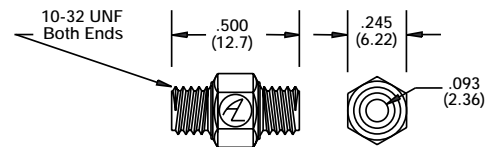
Plastic Fittings

F-3120-20 Plug



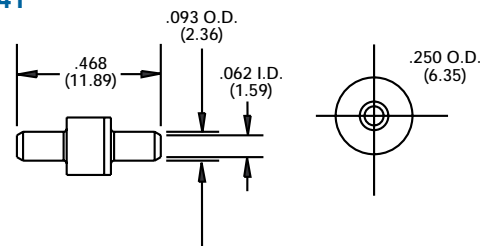
10-32 UNF hex head plug
Material: Nylon - Black, Red, White or Blue
Polypropylene - Gray

F-3120-25 Nipple



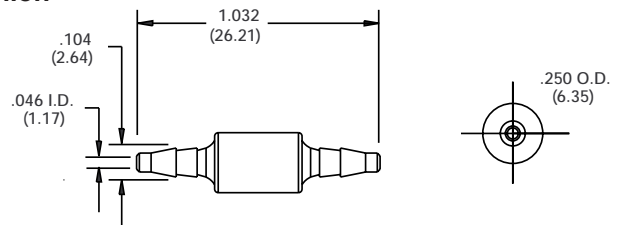
10-32 UNF hex head plug
Material: Nylon - Black, Red, White or Blue
Polypropylene - Gray

F-3120-41 Union



Straight ports for 1/16" I.D. flexible tubing.
Material: Polysulfone

F-3120-42 Union



Barbed ports for 1/16" I.D. flexible tubing.
Material: Polysulfone

() = Metric Dimensions

Check Chemical Comptability of Polysulfone.