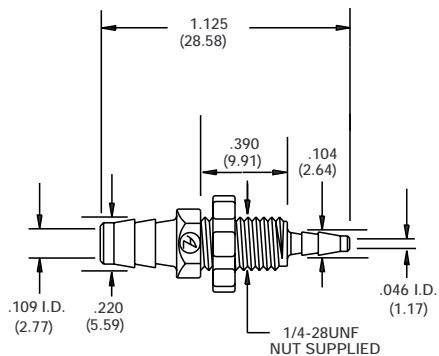


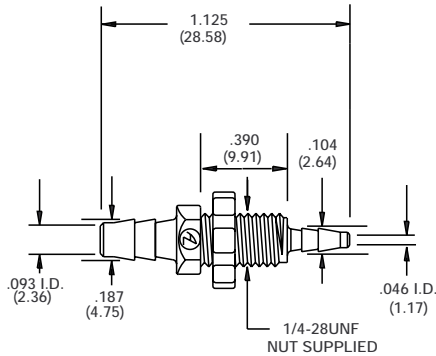
Standard Bulkhead Connectors

F-3100-68 Reducing Bulkhead Connector



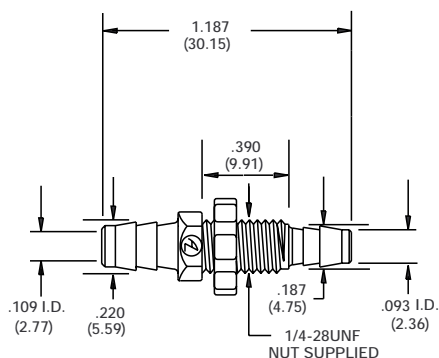
Barbed ports for .170 I.D. to 1/16" I.D. flexible tubing.
External 1/4-28 UNF threads for panel mounting.
Material: Nylon - Black or White
Polypropylene - Gray

F-3100-70 Reducing Bulkhead Connector



Barbed ports for 1/8" I.D. to 1/16" I.D. flexible tubing.
External 1/4-28 UNF threads for panel mounting.
Material: Nylon - Black or White
Polypropylene - Gray

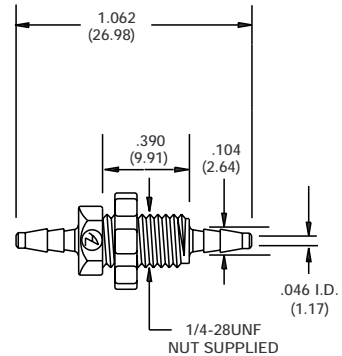
F-3100-71 Reducing Bulkhead Connector



Barbed ports for .170 I.D. to 1/8" I.D. flexible tubing.
External 1/4-28 UNF threads for panel mounting.
Material: Nylon - Black or White
Polypropylene - Gray

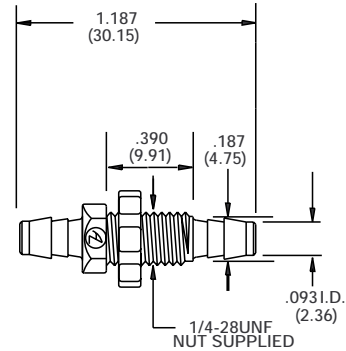
() = Metric Dimensions

F-3100-80 Straight Bulkhead Connector



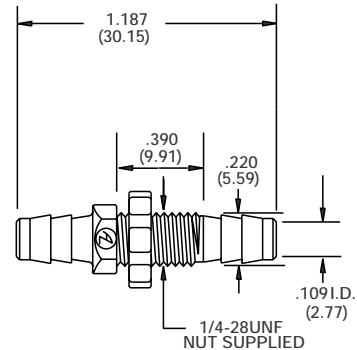
Barbed ports for 1/16" I.D. flexible tubing.
External 1/4-28 UNF threads for panel mounting.
Material: Nylon - Black or White
Polypropylene - Gray

F-3100-85 Straight Bulkhead Connector



Barbed ports for 1/8" I.D. flexible tubing.
External 1/4-28 UNF threads for panel mounting.
Material: Nylon - Black or White
Polypropylene - Gray

F-3100-86 Straight Bulkhead Connector



Barbed ports for .170 I.D. flexible tubing.
External 1/4-28 UNF threads for panel mounting.
Material: Nylon - Black or White
Polypropylene - Gray

() = Metric Dimensions