

PRODUCT SPECIFICATIONS

Barb sizes for : 1/16", 3/32", 1/8" and .170" I.D. Tubing

Housing Material: Nylon (black)

Mounting Hole Diameter: 1/4" or 3/8"

Operating Temperatures: 40° to 120°F. (5° to 48°C)

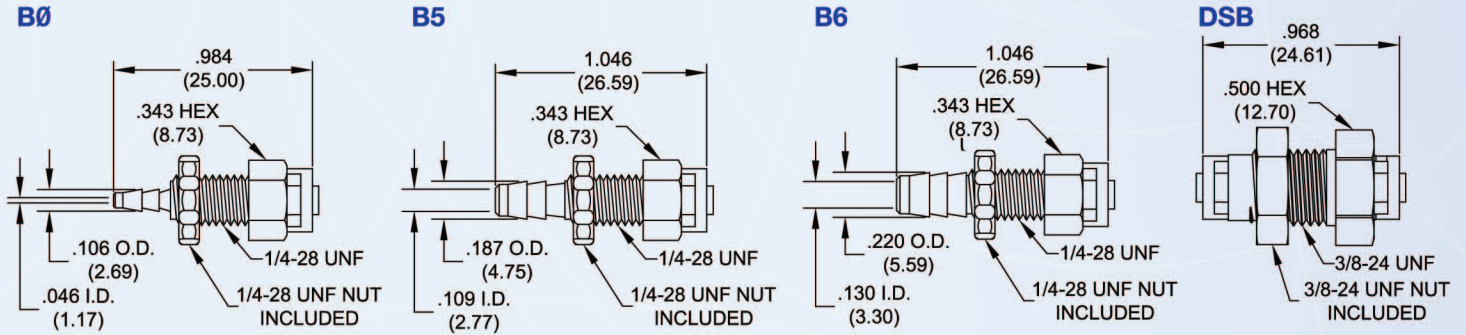
O-Ring Material: Buna-N, Ethylene Polypropylene
Silicone and Viton

Supply Pressure: 125 psi (max)

Swivel Barb Configurations: Straight, Elbow and Tee

Thread Sizes: 1/4-28 UNF and 3/8-24 UNF (nut is included)

MODULAR BULKHEAD BASES



SWIVEL BARBED PORTS

