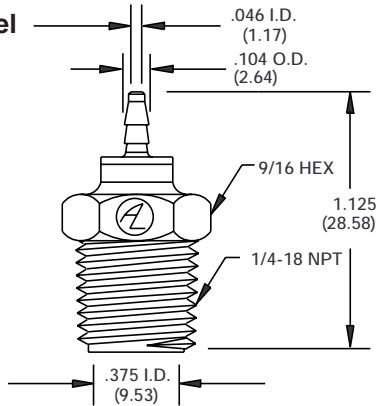


# Straight Swivel Fittings

Patent #4,946,204

## F-3350-80

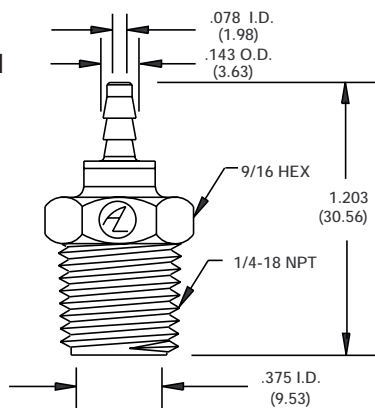
### Straight Swivel



For 1/4-18 NPT x 1/16" I.D. flexible tubing. Swivels 360°.  
Buna-N o-ring seal.  
Material: Nylon.

## F-3350-83

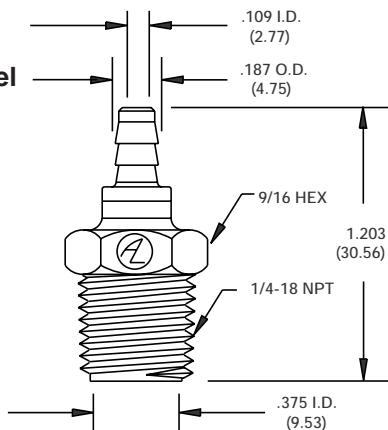
### Straight Swivel



For 1/4-18 NPT x 3/32" I.D. flexible tubing. Swivels 360°.  
Buna-N o-ring seal.  
Material: Nylon.

## F-3350-85

### Straight Swivel



For 1/4-18 NPT x 1/8" I.D. flexible tubing. Swivels 360°.  
Buna-N o-ring seal.  
Material: Nylon.

( ) = Metric Dimensions

( ) = Metric Dimensions