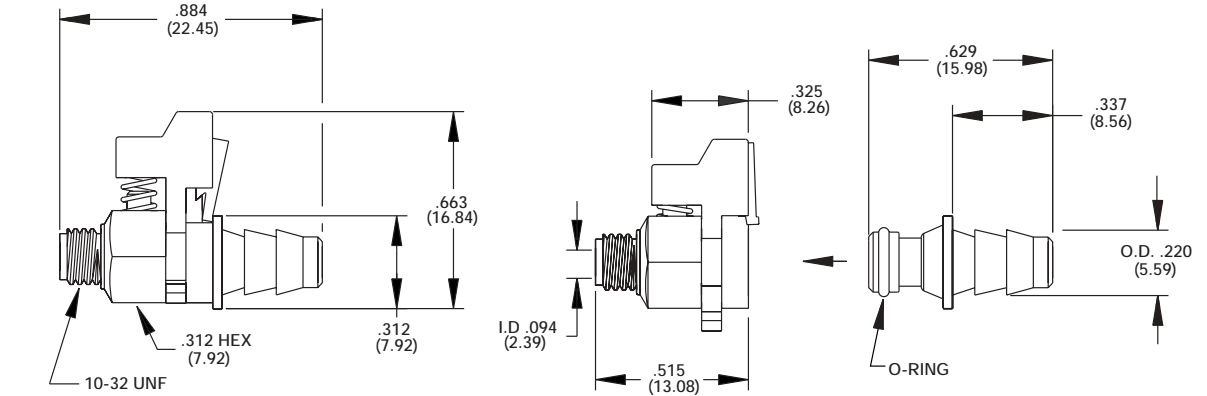


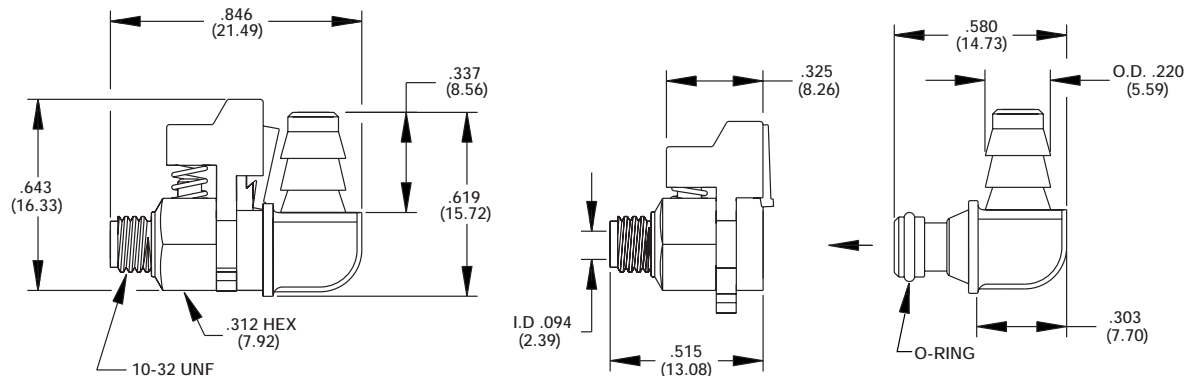
The Quick Disconnect Fitting is available in 3 models: The Straight, Elbow or Tee. The Fitting has 10-32 UNF Threads and a Barb for .170" I.D. Tubing.

- **Materials:** HOUSING-Celcon, **SPRING**-Stainless Steel, **O’RING**-Buna-N
- **Operating Temperature:** 40° to 120° F (5° to 48°C)
- **Maximum Supply:** 125 PSI. • **Color:** Black or White • **Patent #5,695,223.**

F-4150-86 Straight Quick Disconnect



F-4154-86 Elbow Quick Disconnect



F-4155-86 Tee Quick Disconnect

