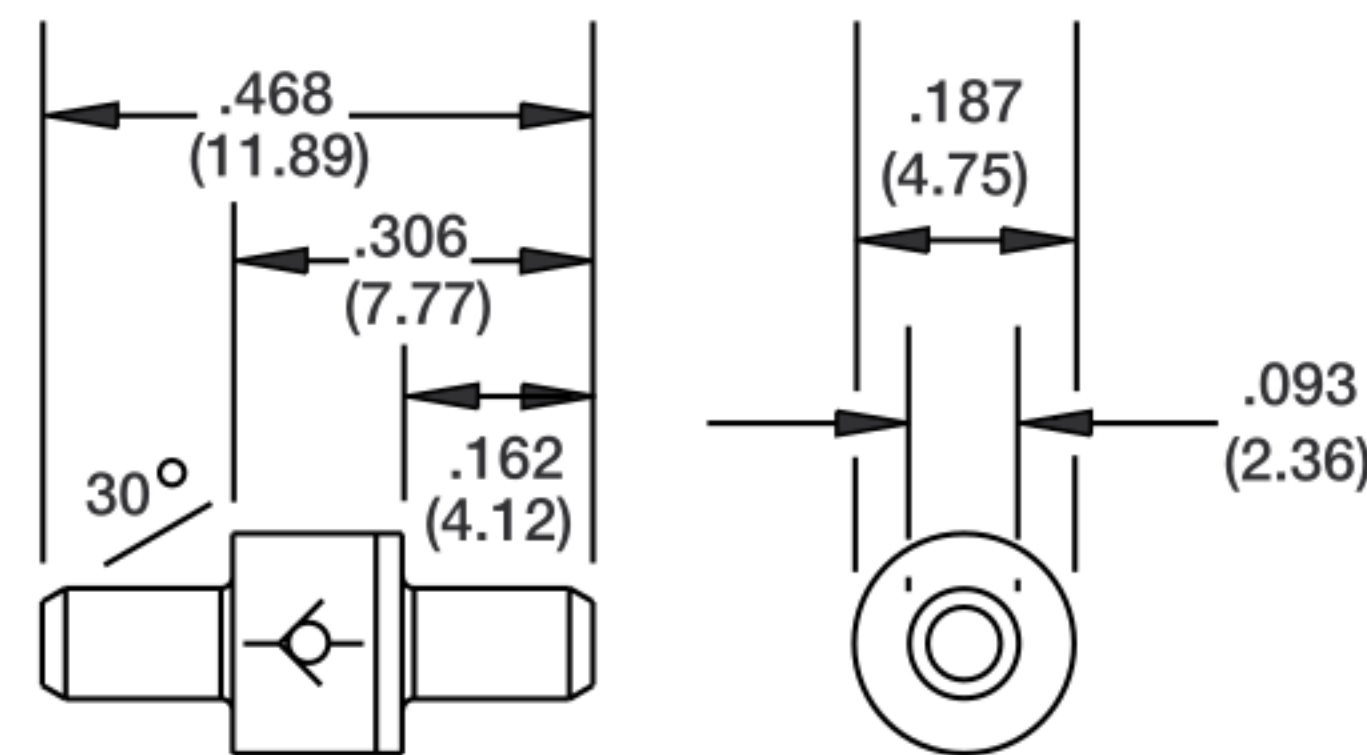
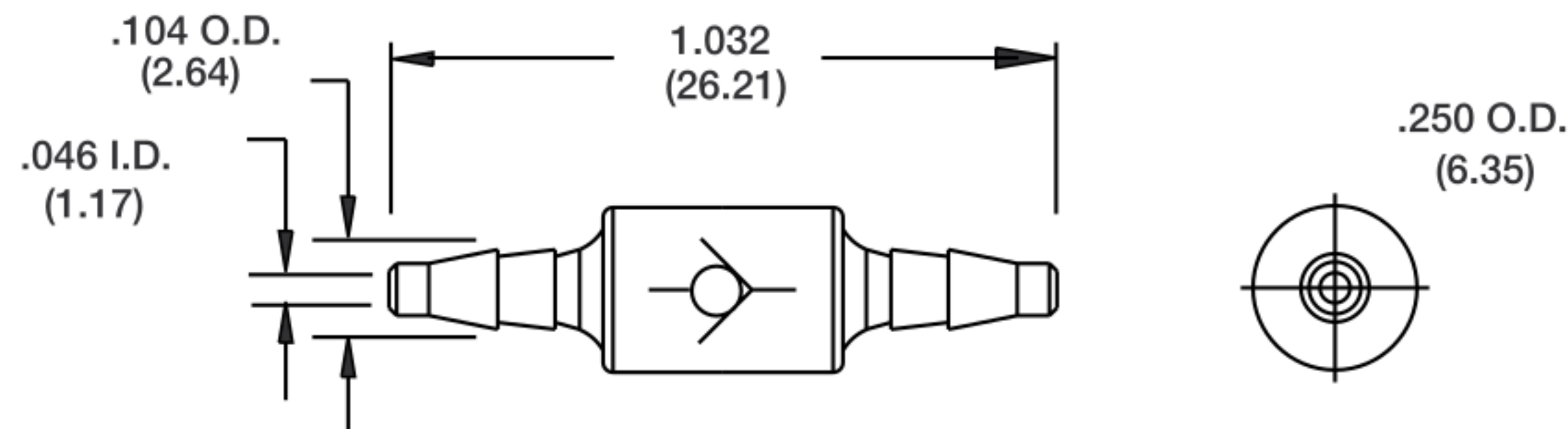


# DIMENSIONS

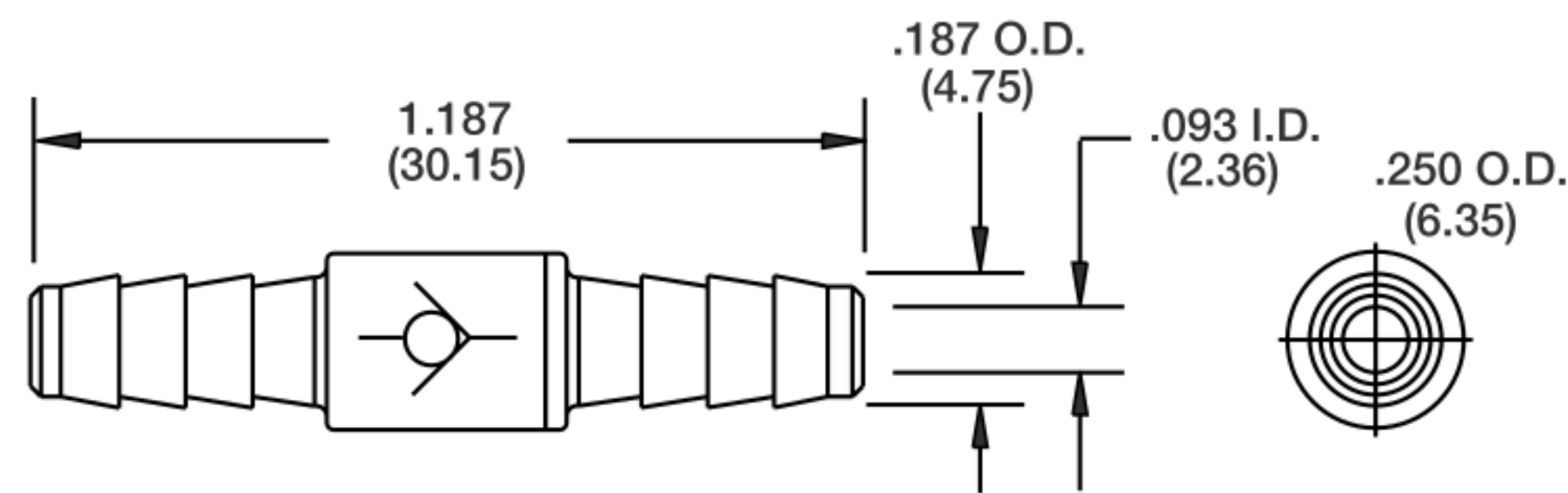
( ) = Metric Dimensions



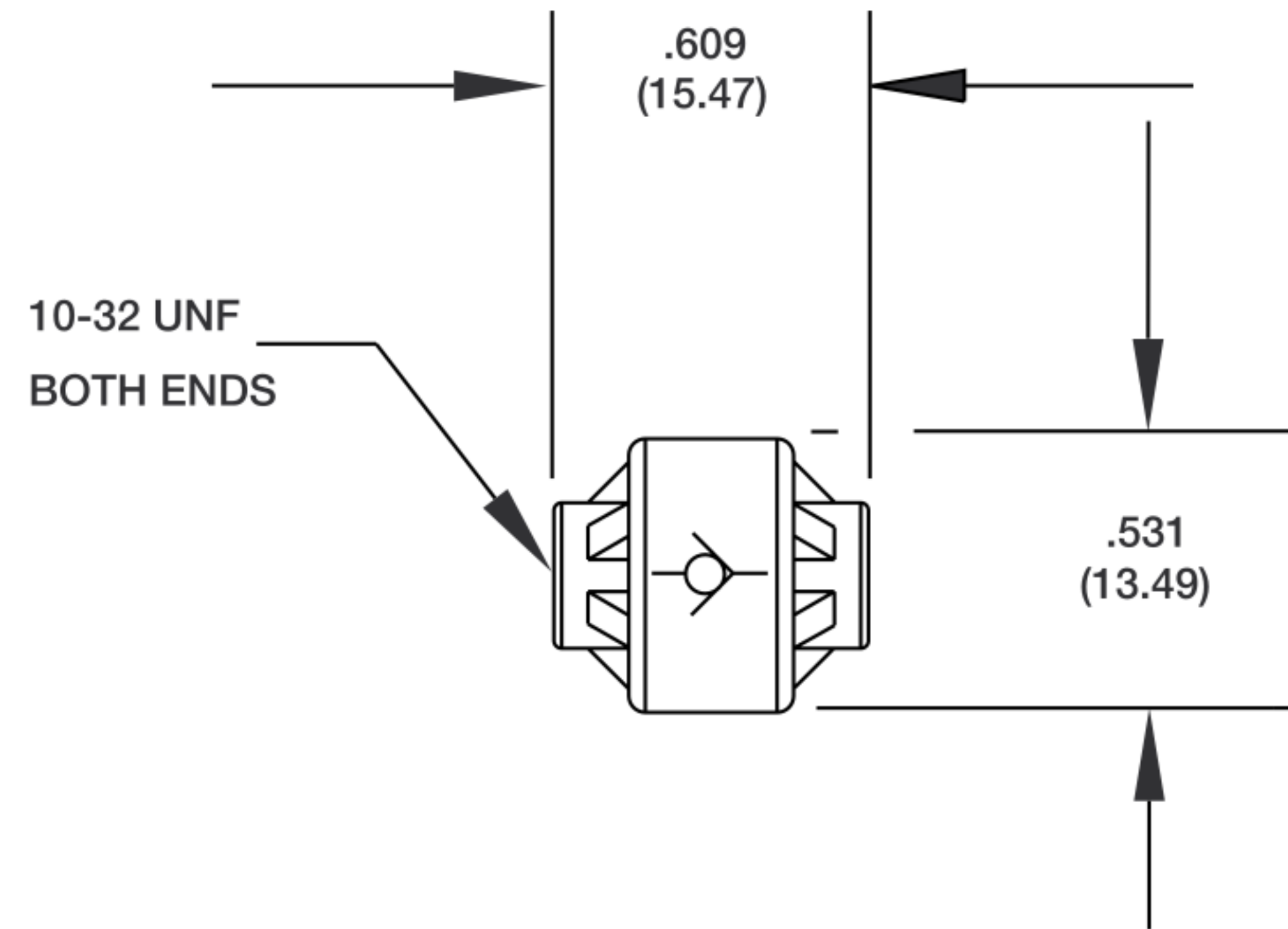
F-2804- 400, 401, 402, 403



F-2804-401, 402, 403 B80



F-2804-401, 402, 403 B85



F-2804-404