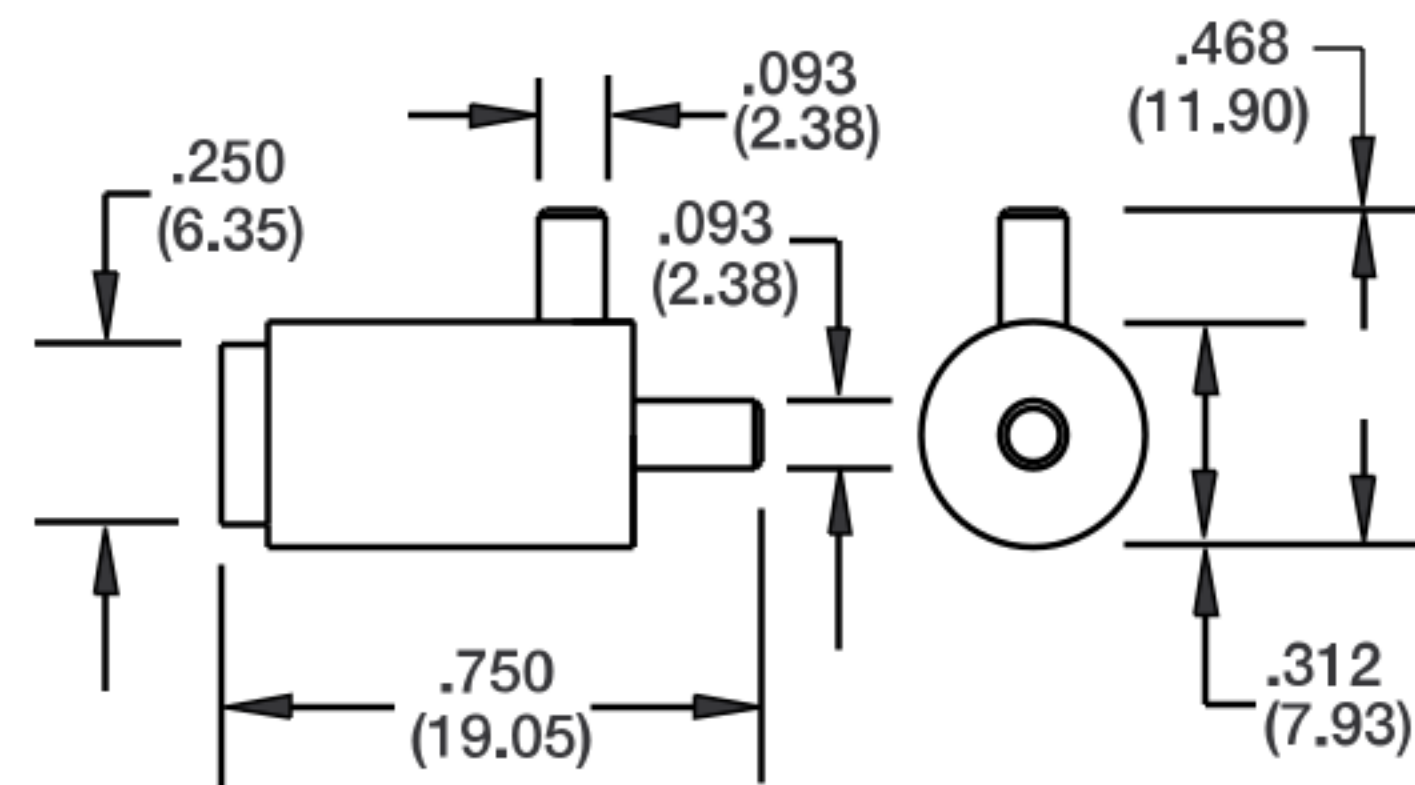
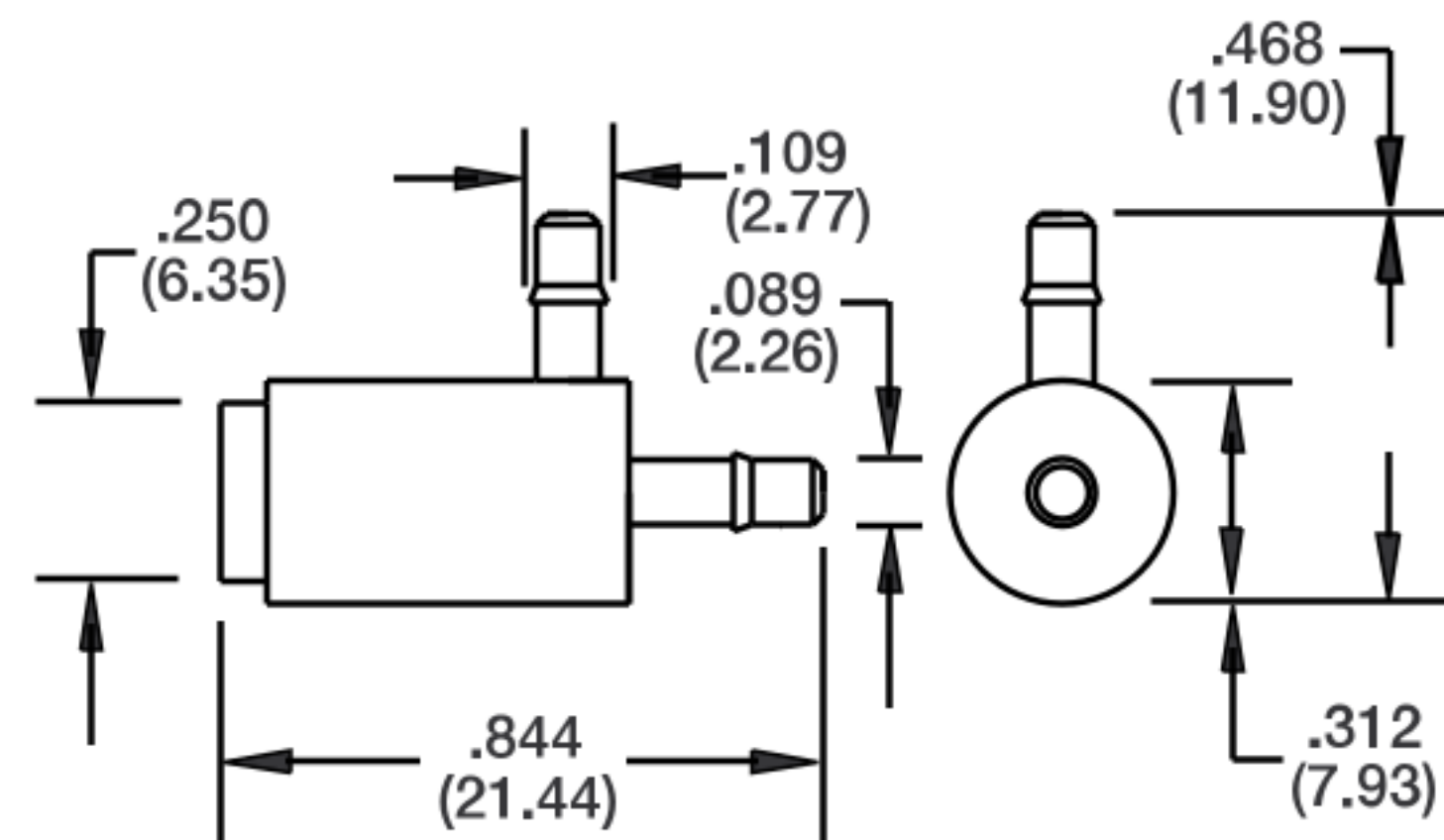


DIMENSIONS

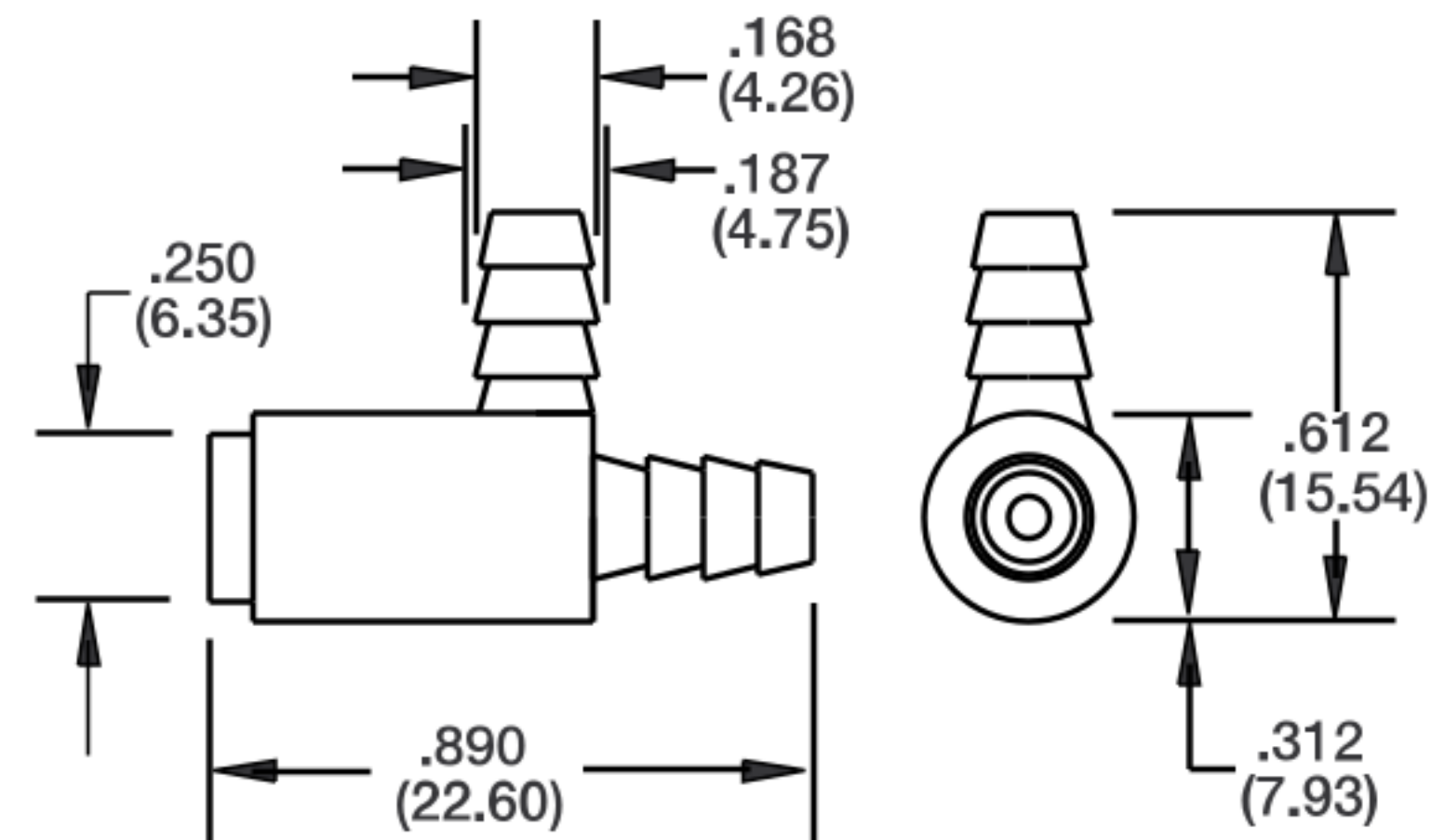
() = Metric Dimensions



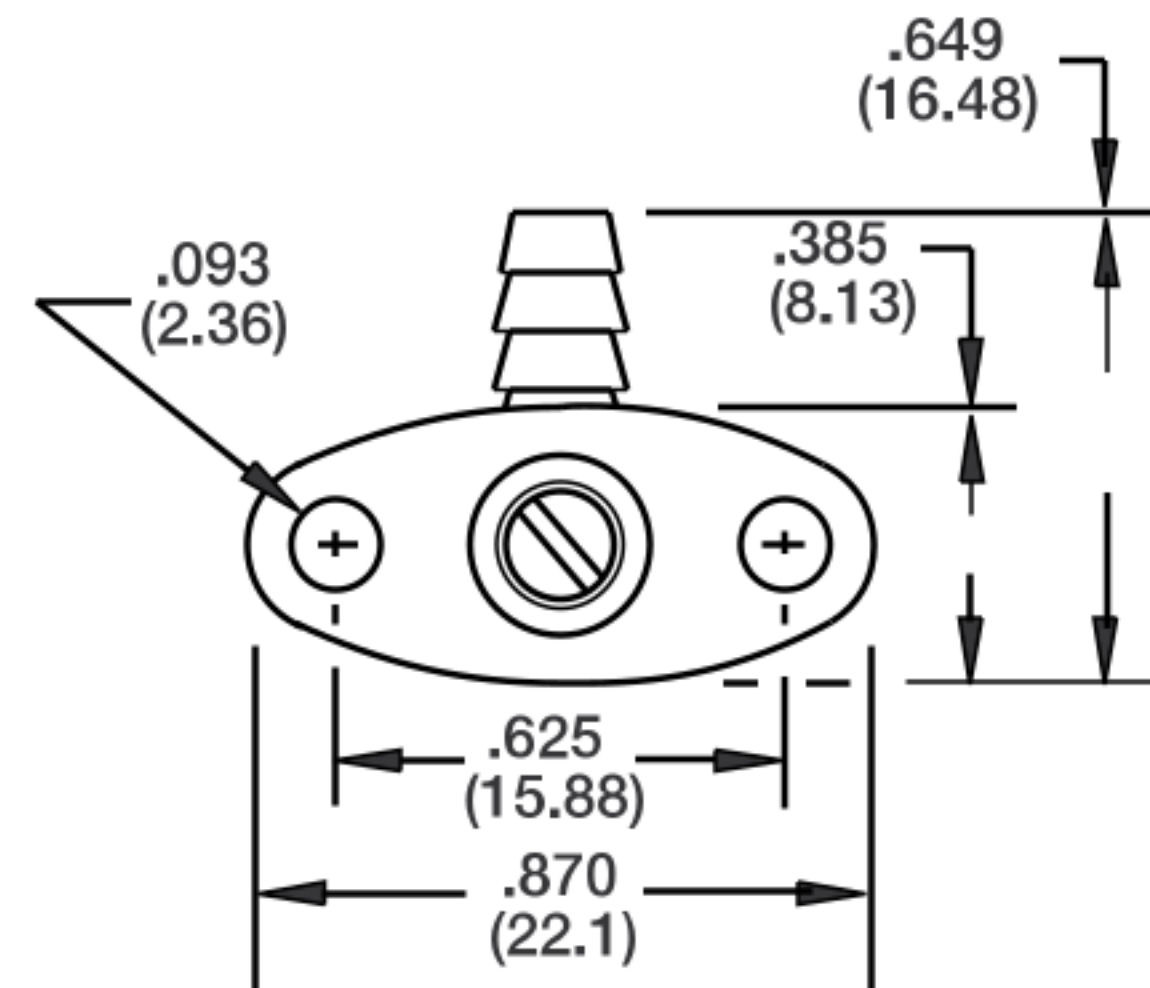
F-2822-20
F-2822-30



F-2822-20 B80
F-2822-30 B80



F-2822-20 B85
F-2822-30 B85



F-2822-21 B85
F-2822-31 B85