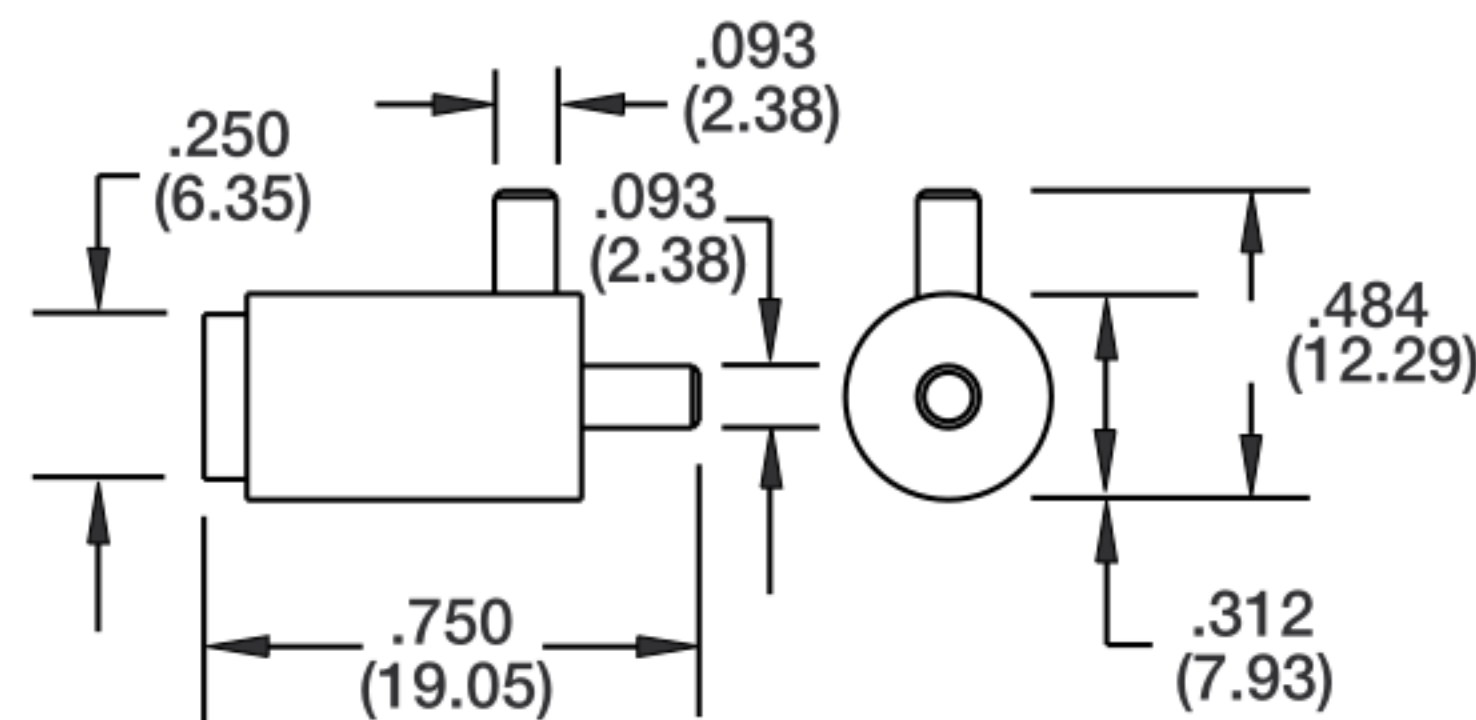
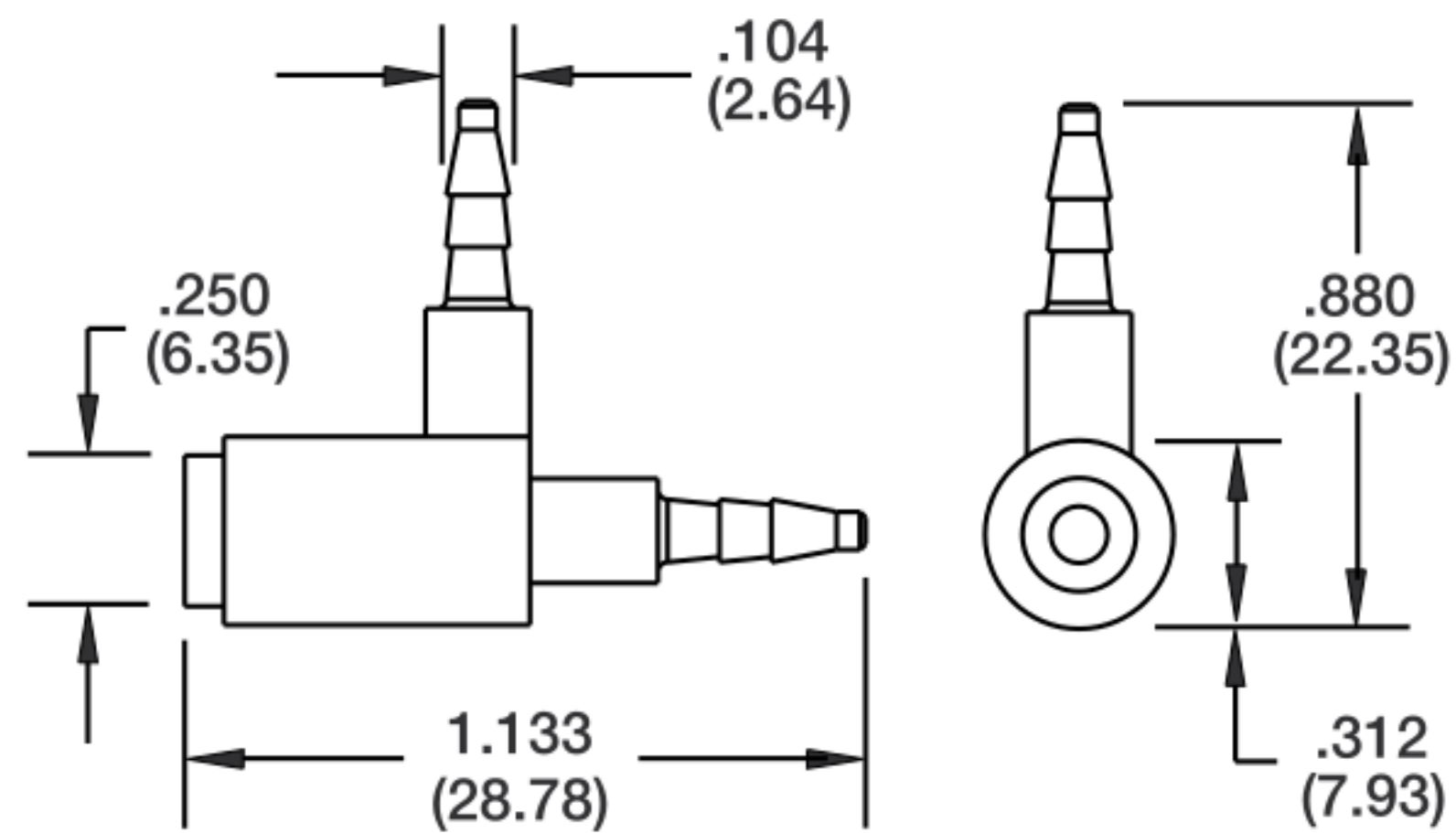


DIMENSIONS

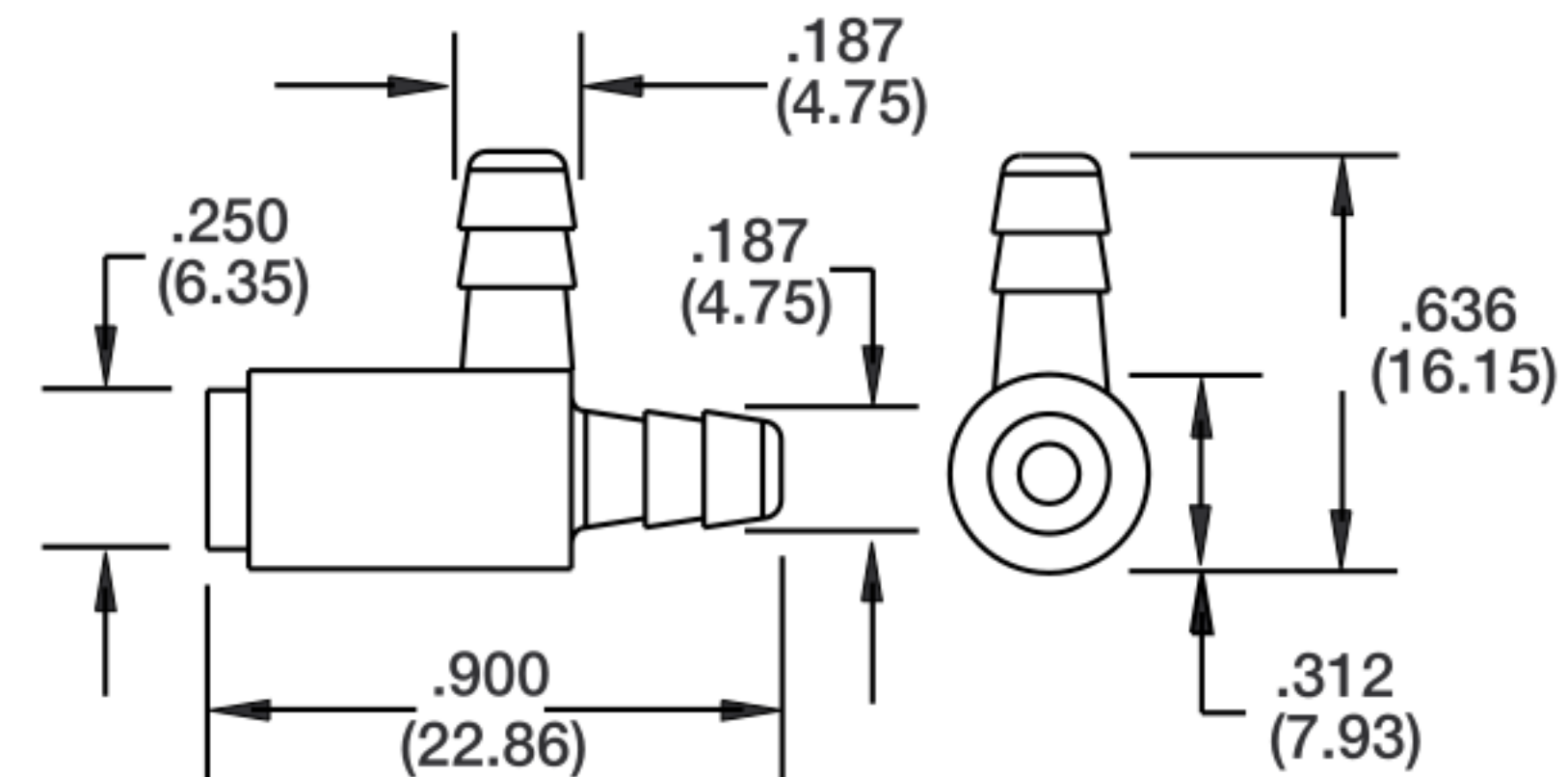
() = Metric Dimensions



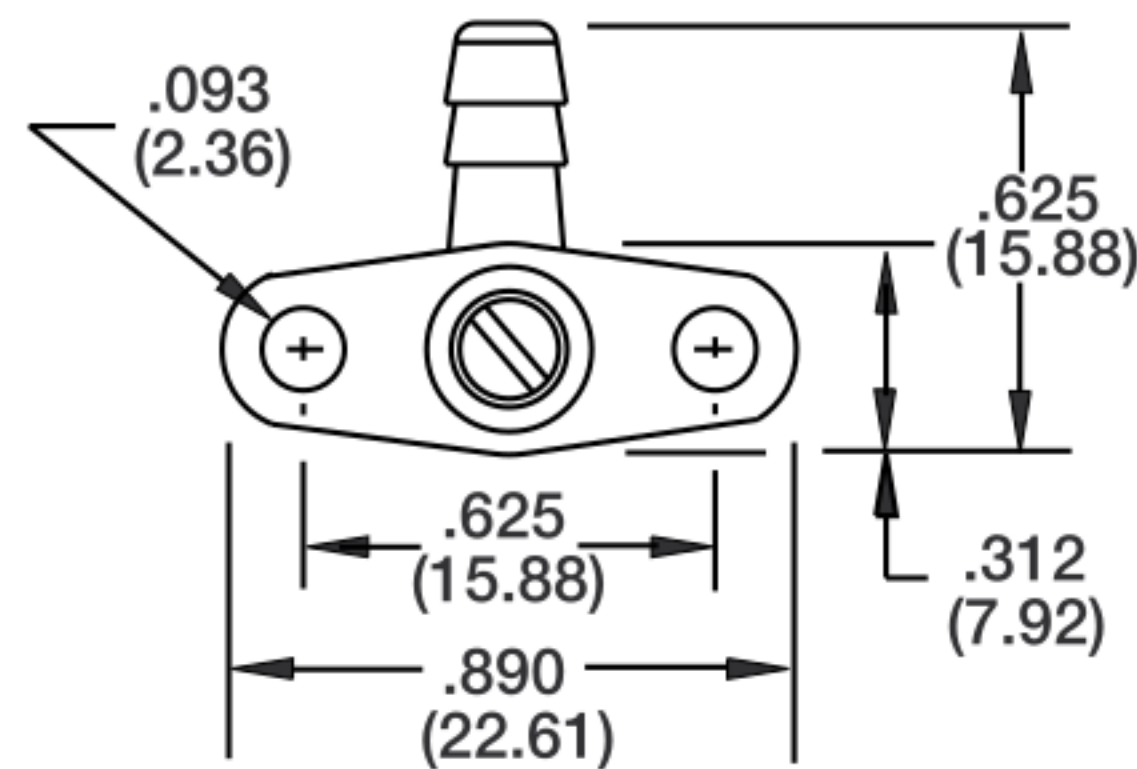
F-2822-40
F-2822-50



F-2822-40-B80



F-2822-40-B85



F-2822-41-B85