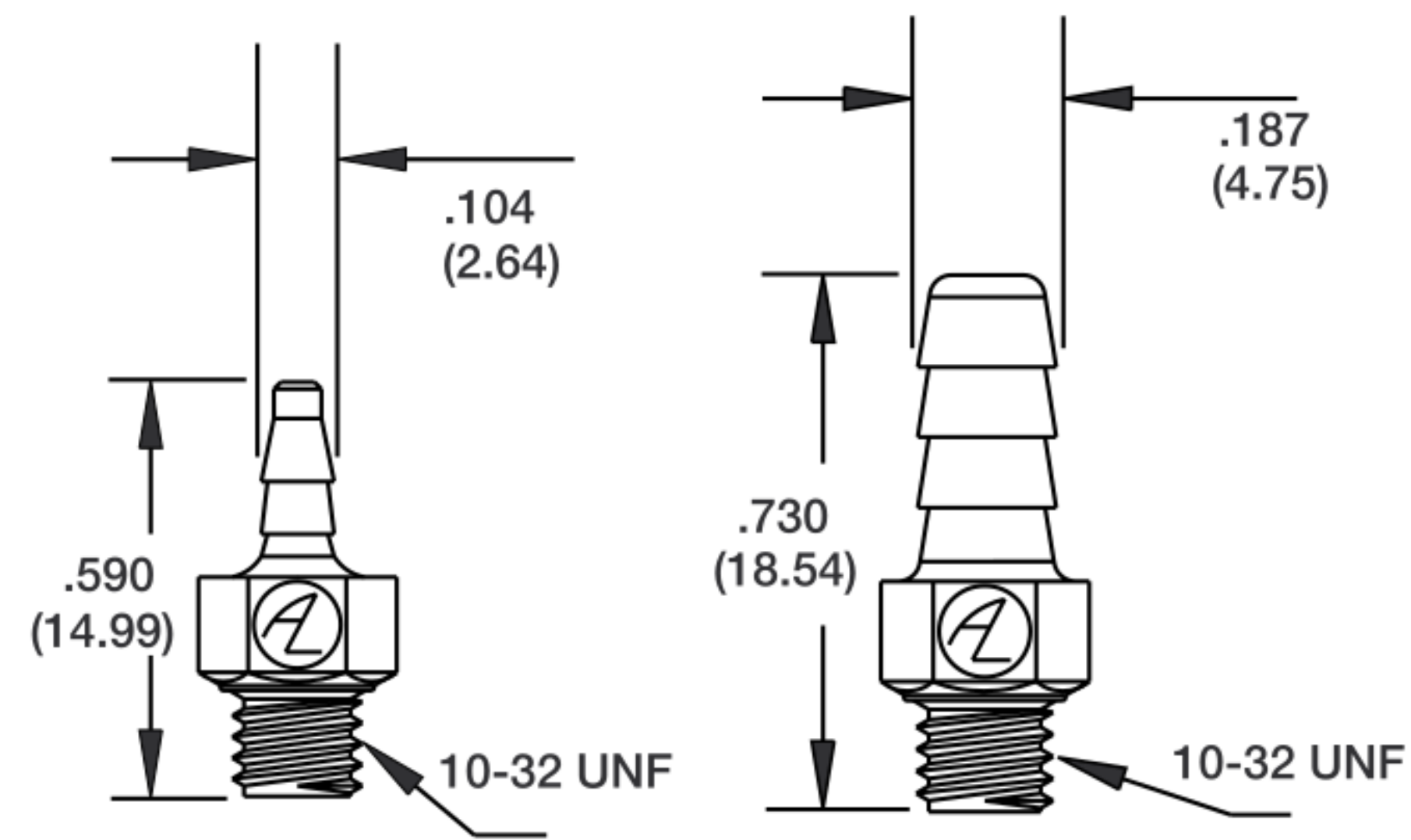
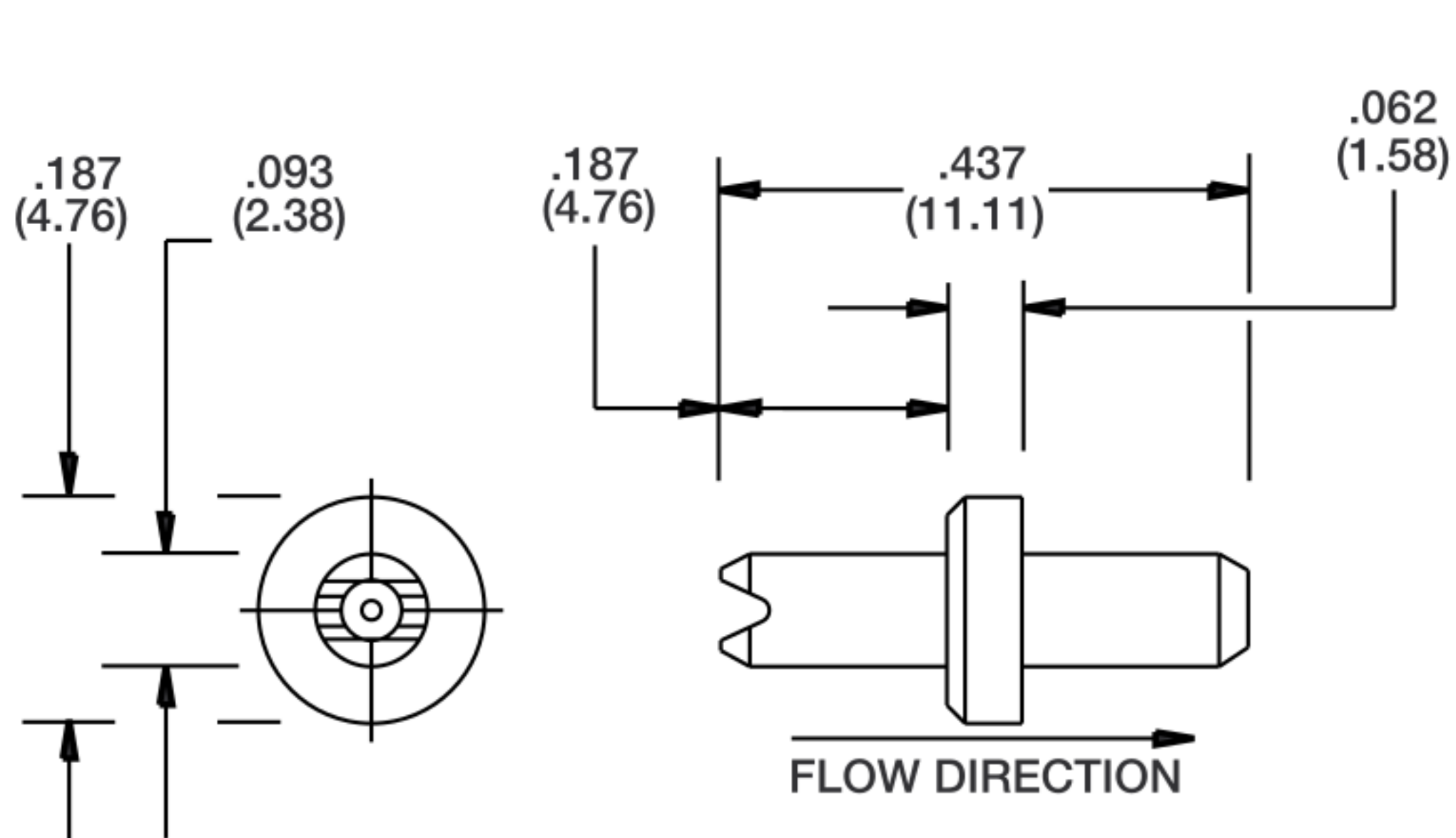


# DIMENSIONS

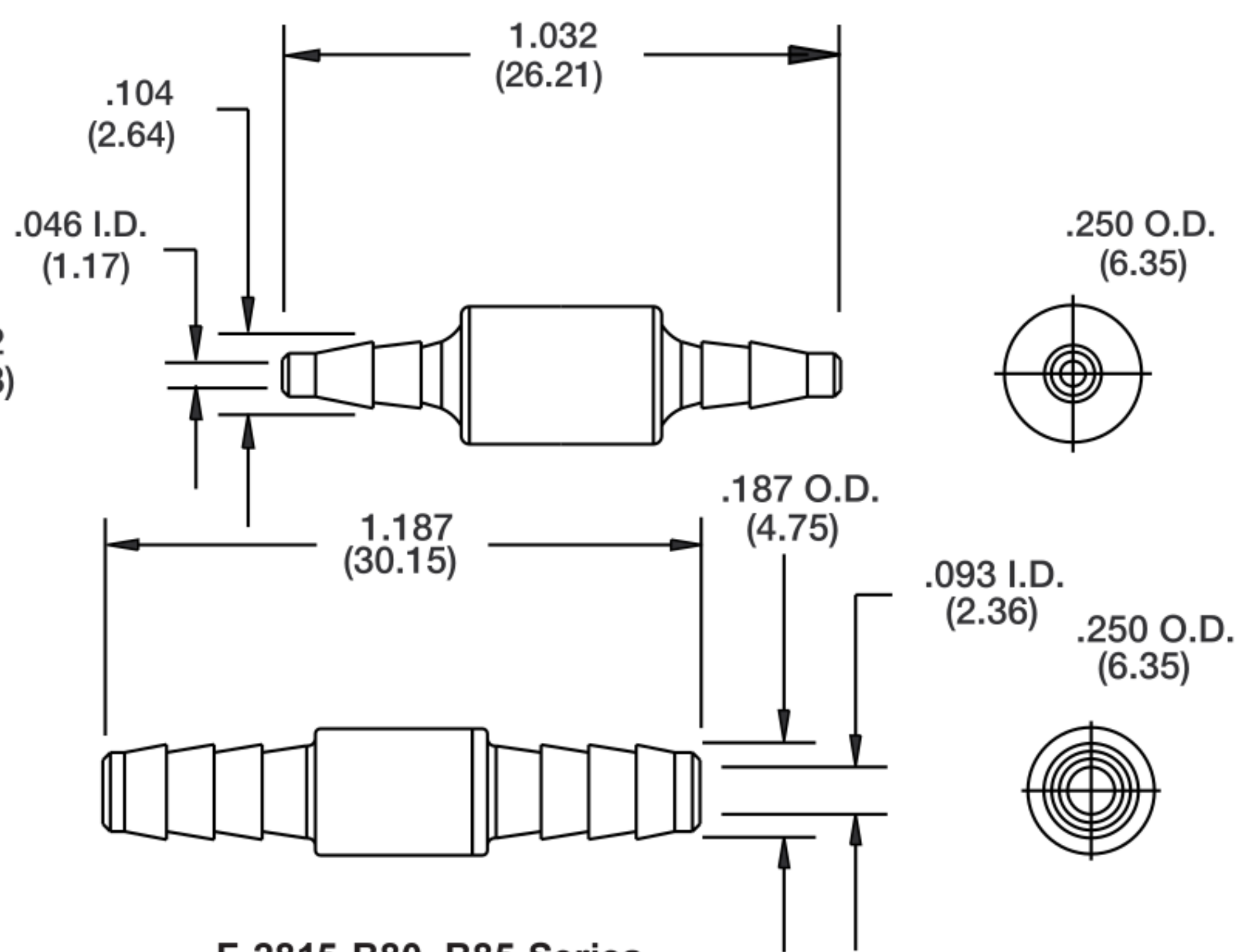
( ) = Metric Dimensions



F-3120 Series



F-2815 Series



F-2815-B80, B85 Series