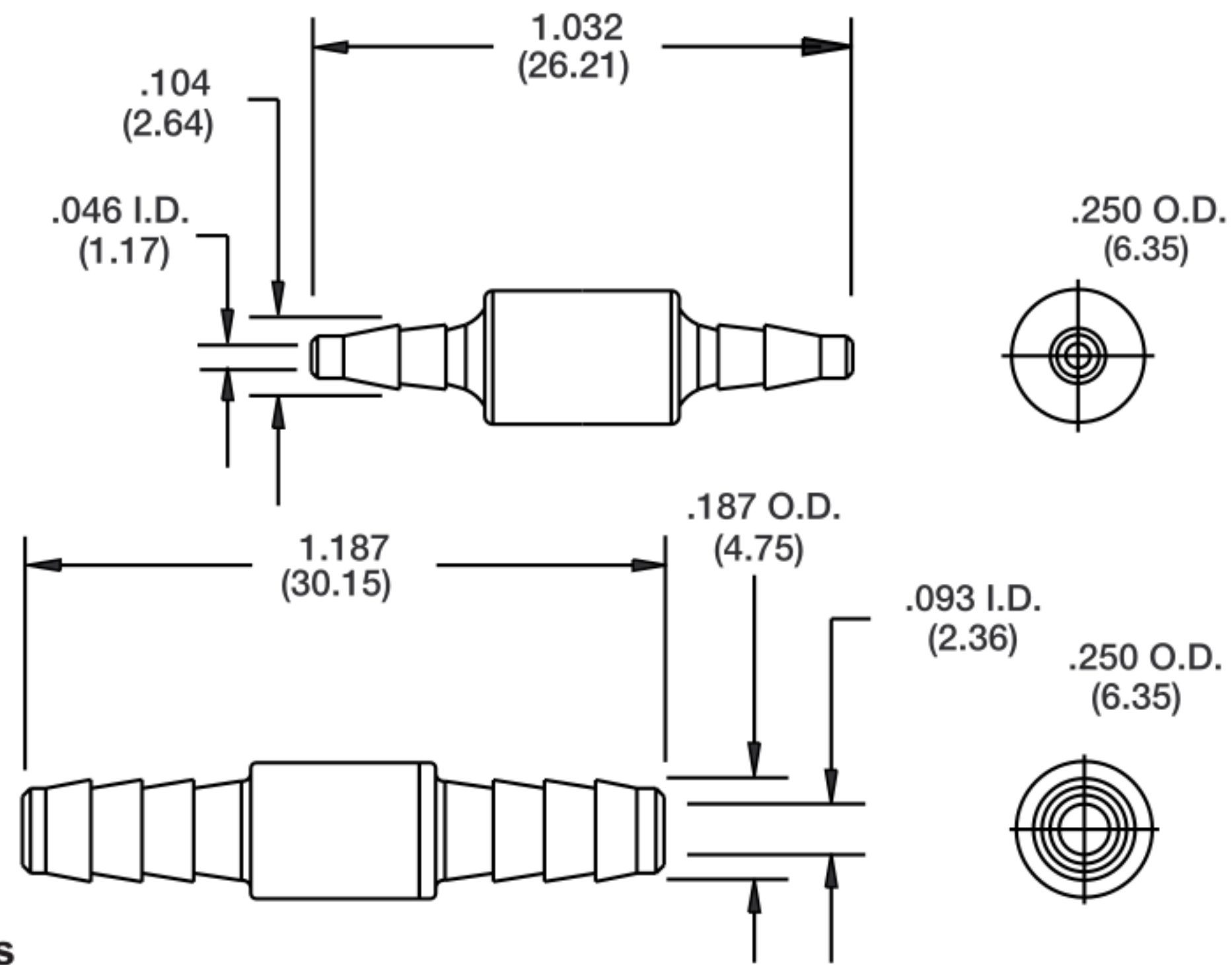
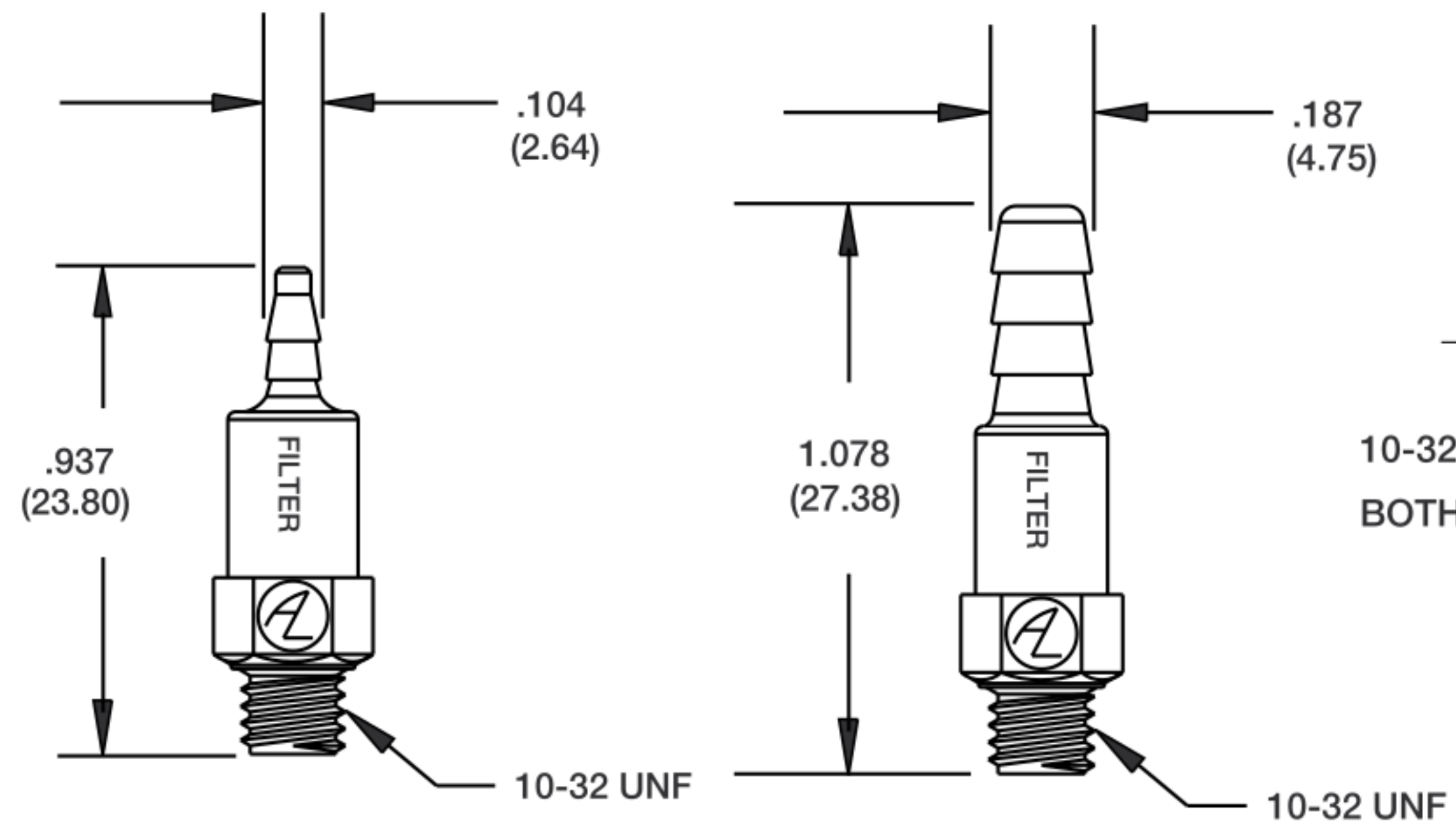


DIMENSIONS

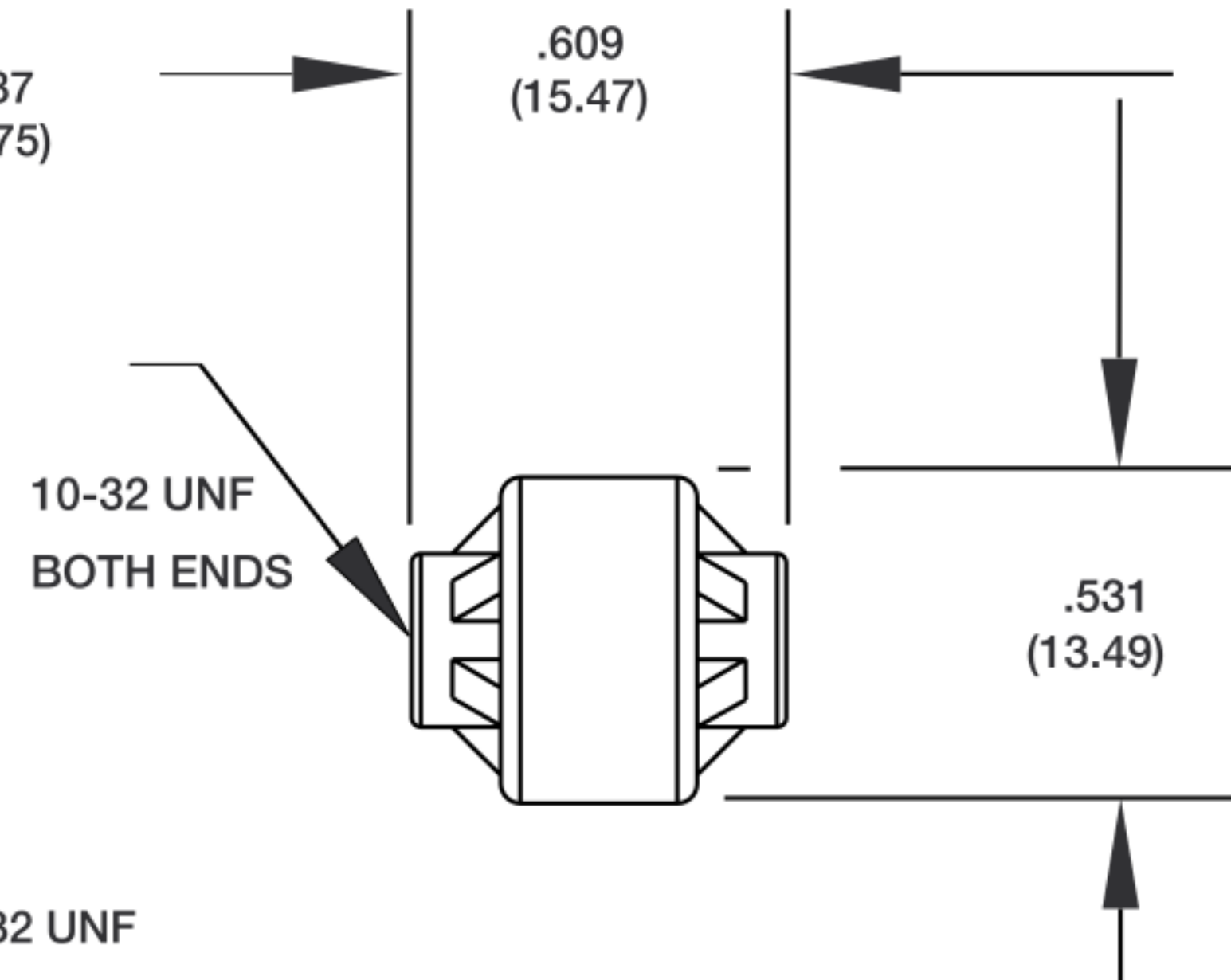
() = Metric Dimensions



F-950 Series



F-960 Series



F-970 Series