

F-5700, F-5800 Series Pressure Piloted 3-Way Valve



The F-5700, F-5800 Series Pressure Piloted 3-Way Valve has an adjustable pressure pilot setpoint. The adjustable pressure pilot can be set to sense pressure between .5 to 100 PSI. Maximum supply of 100 PSI. The 3-Way Valve is Normally Open or Normally Closed. The Normally Open valve senses the adjusted pressure setpoint and turns the output off. The Normally Closed valve senses the adjusted pressure setpoint and turns the output on.

Four mounting styles are available: The standard flush mount; the panel mount has a unique thread that goes from 1/8-27 tapered pipe thread to 1/8-27 straight pipe thread for mounting; the manifold mount is designed to mount directly on pneumatic circuit boards or manifold subplates - a Buna N o-ring is supplied; and 1/8 NPT mount which has 1/8-27 tapered pipe threads. The pilot input is furnished with a B80 Barb, 10-32 Barbed Fitting for 1/16" I.D. tubing. The output has instant push in fittings for 5/32 O.D. tubing.

ORDERING INFORMATION (Order by model number for Normally Open or Closed, Sensing Range, Mounting Style and Pilot Port Connection).

Model Number	Valve Operation	Sensing Range	Mounting Style	Port Connection
F-5700	Normally Open - Senses Pressure/ Turns Output OFF	15 - 0.5 to 15 PSI	FM-Flush Mount	B80-Barb for 1/16" I.D. Tubing
		30 - 0.5 to 30 PSI	PM-Panel Mount 1/8-27 NPS	
		60 - 0.5 to 60 PSI	MM-Manifold Mount	B85-Barb for 1/8" I.D. Tubing
F-5800	Normally Closed Senses Pressure/ Turns Output ON	100 - 0.5 to 100 PSI	PT-Pipe Thread Mount 1/8-27 NPT	No Accessory Number required for a B-80 Barb

FEATURES

- Subminiature Size
- Low Differential
- Fast Response

SPECIFICATIONS

Mechanical

Operating Speed: Activate or release in 65 milliseconds
 Signal Pressure: 100 PSI maximum
 Pilot Adjustment: 0.5 to 100 PSI, ± 0.5 tolerance on the initial starting pressure
 Temperature Limits: 40° to 120°F. (4° to 49°C.)

MATERIALS

Housing: Polysulfone
 Diaphragm: Polyurethane
 Spring: Stainless Steel or Music Wire

MOUNTING

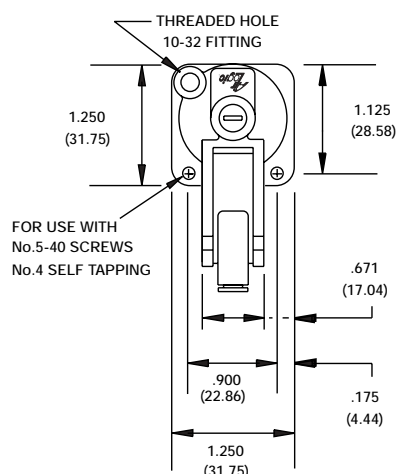
Flush Mount: mounting hole .125" diameter, use No. 4 self-tapping or 5-40 screw
 Panel Mount: 1/8-27 NPT to 1/8-27 NPS, 10-32 female internal threads
 Mounting hole size 7/16" diameter. Supplied with mounting nut
 Manifold Mount: Two mounting holes .125" diameter, use No. 4 self-tapping or 5-40 screw, supplied with Buna N o-ring
 1/8 NPT Mount: 1/8-27 male tapered pipe threads with 10-32 female internal threads

PORT CONNECTIONS

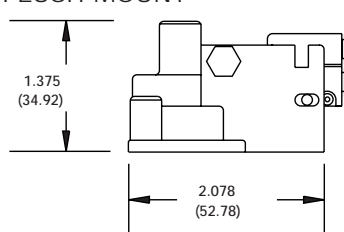
Pilot Input: 10-32 female threads
 1/8-27 male tapered pipe threads with 10-32 female internal threads furnished with 10-32 Barbed Fitting for 1/16" I.D. tubing
 Output: Instant push in fitting for 3/32" I.D. x 5/32" O.D. tubing

DIMENSIONS

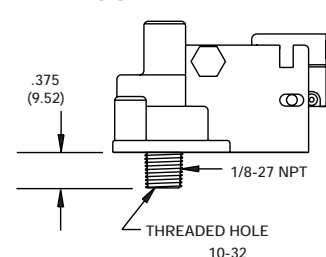
() = Metric Dimensions



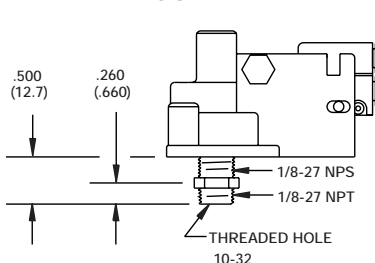
FLUSH MOUNT



1/8 NPT MOUNT



PANEL MOUNT



MANIFOLD MOUNT

