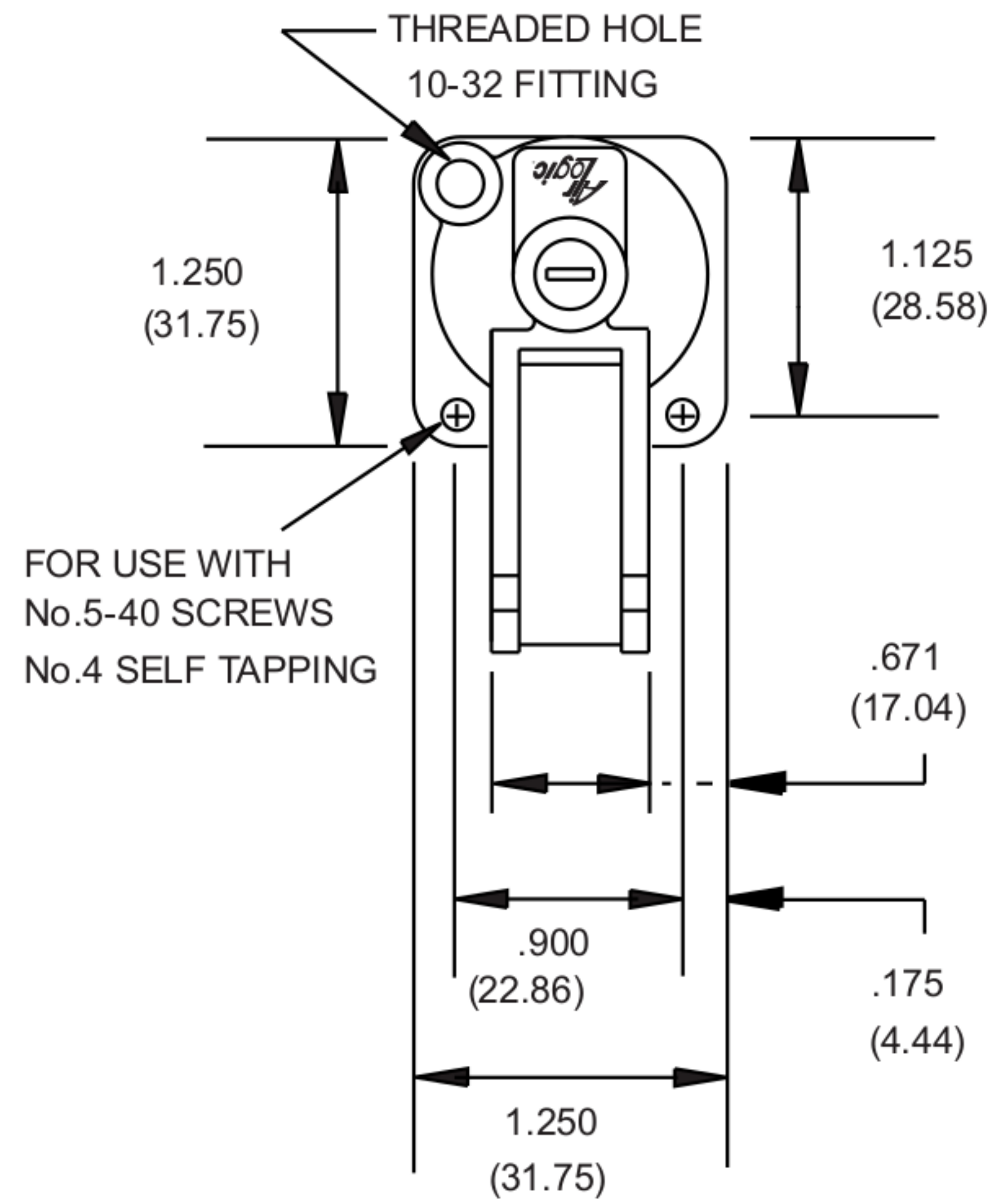
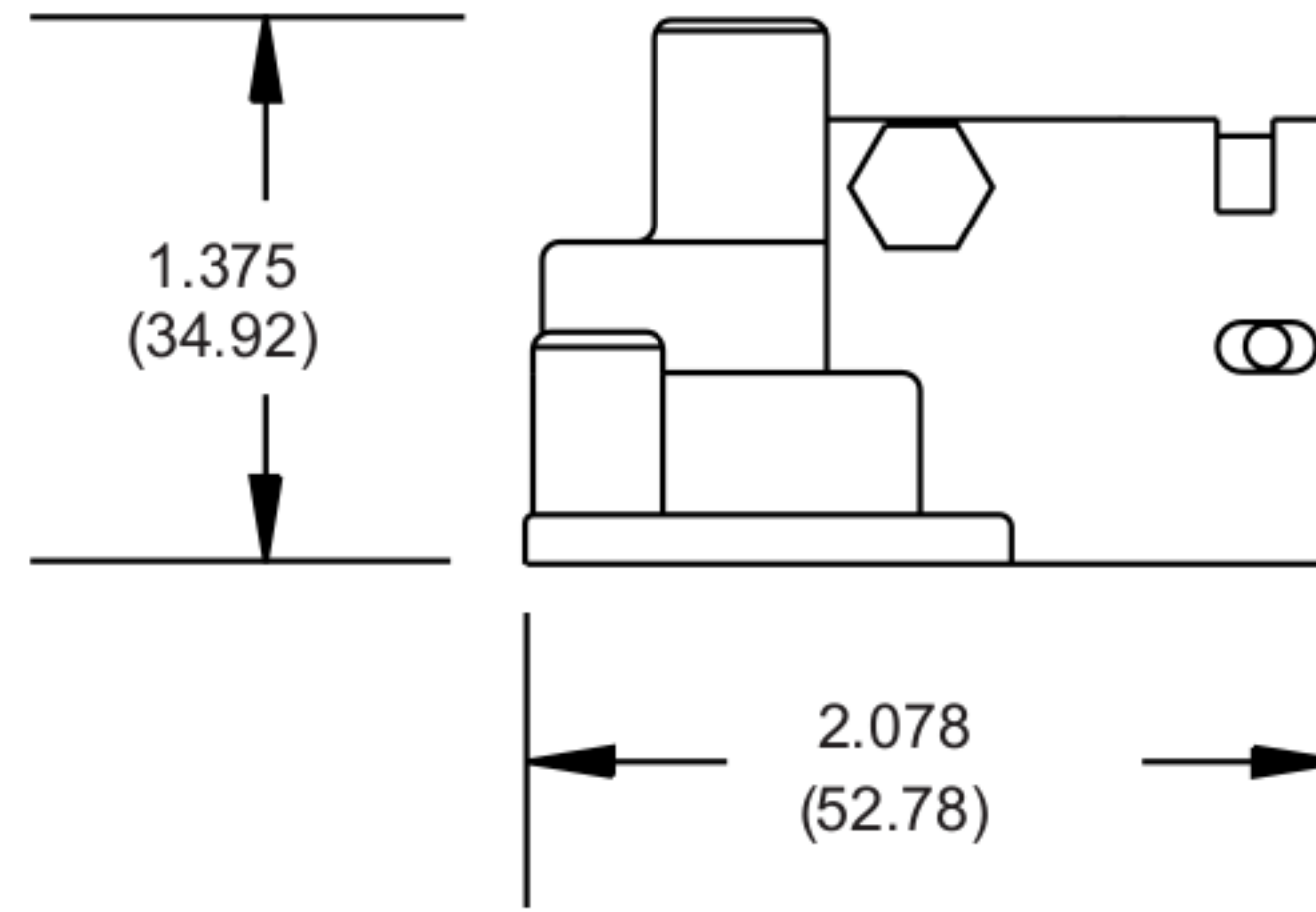


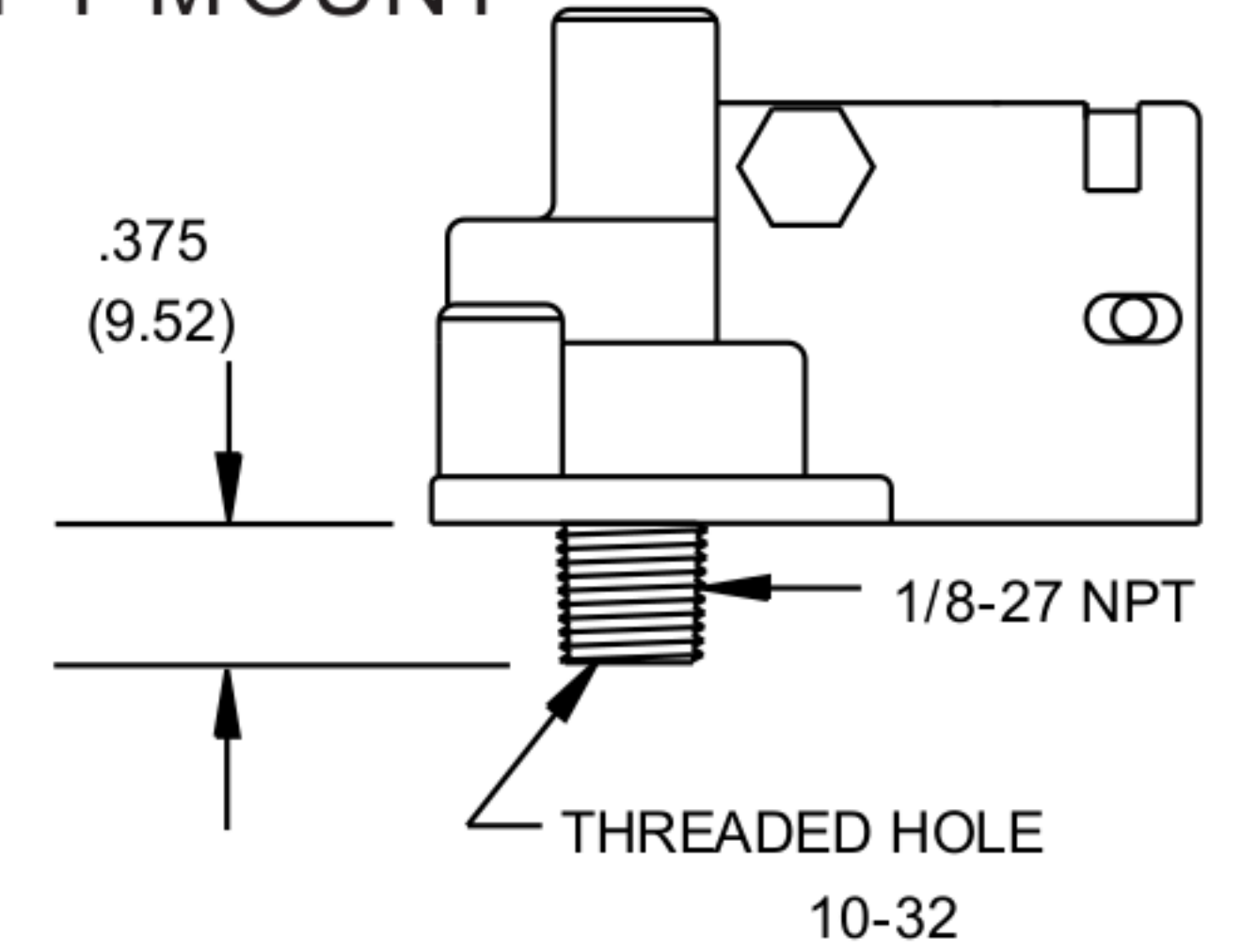
V-5500



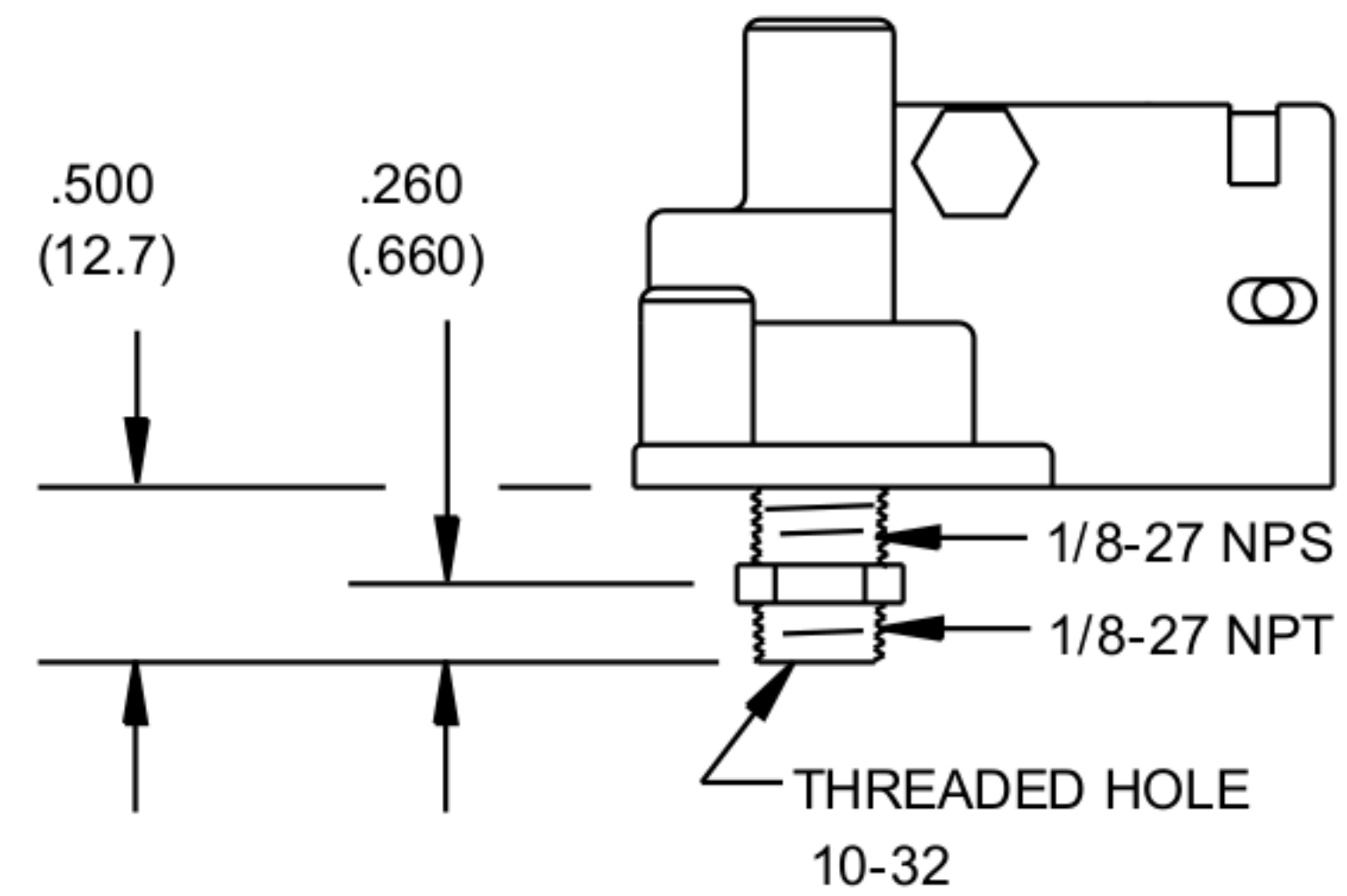
FLUSH MOUNT



1/8 NPT MOUNT



PANEL MOUNT



MANIFOLD MOUNT

