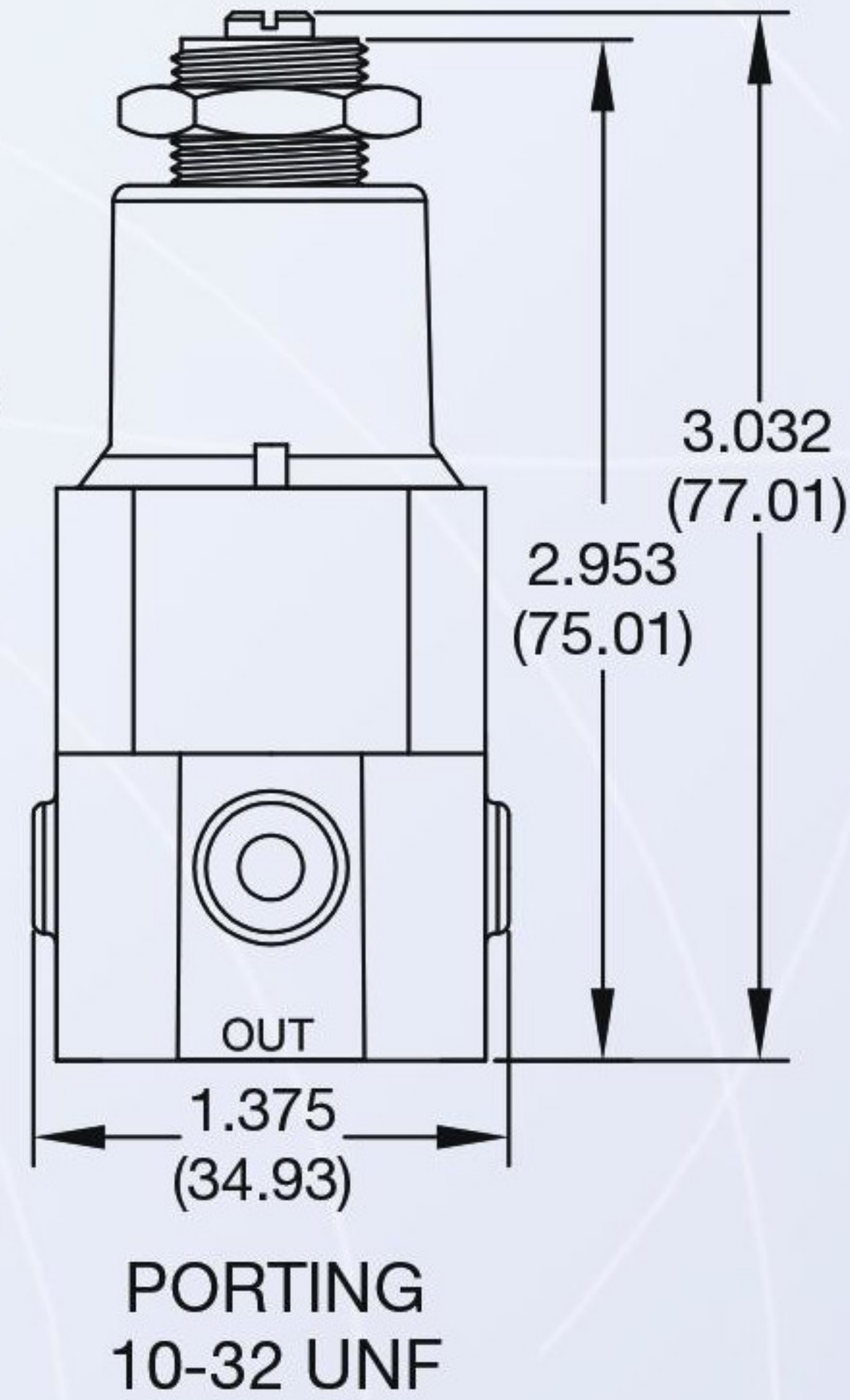
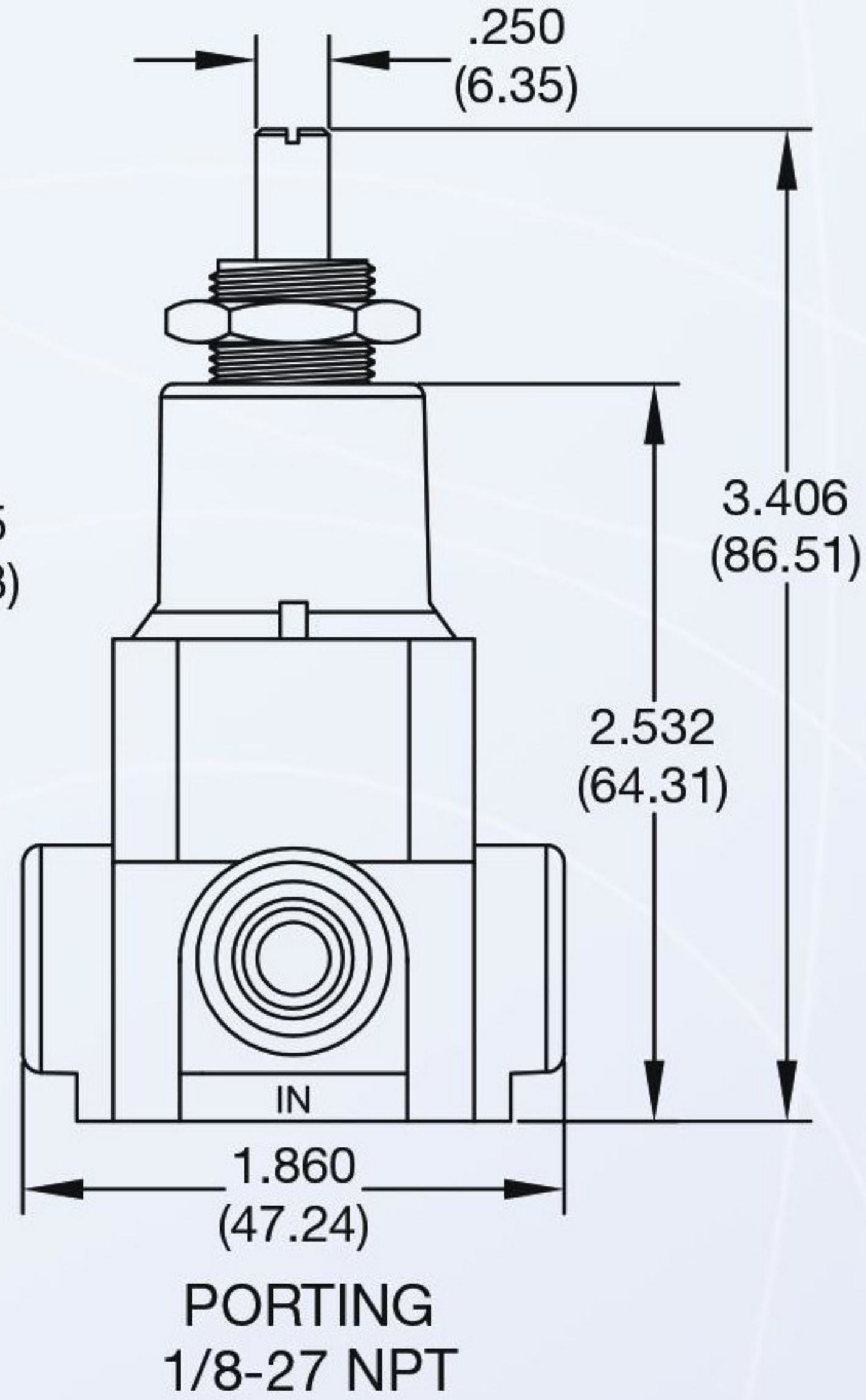
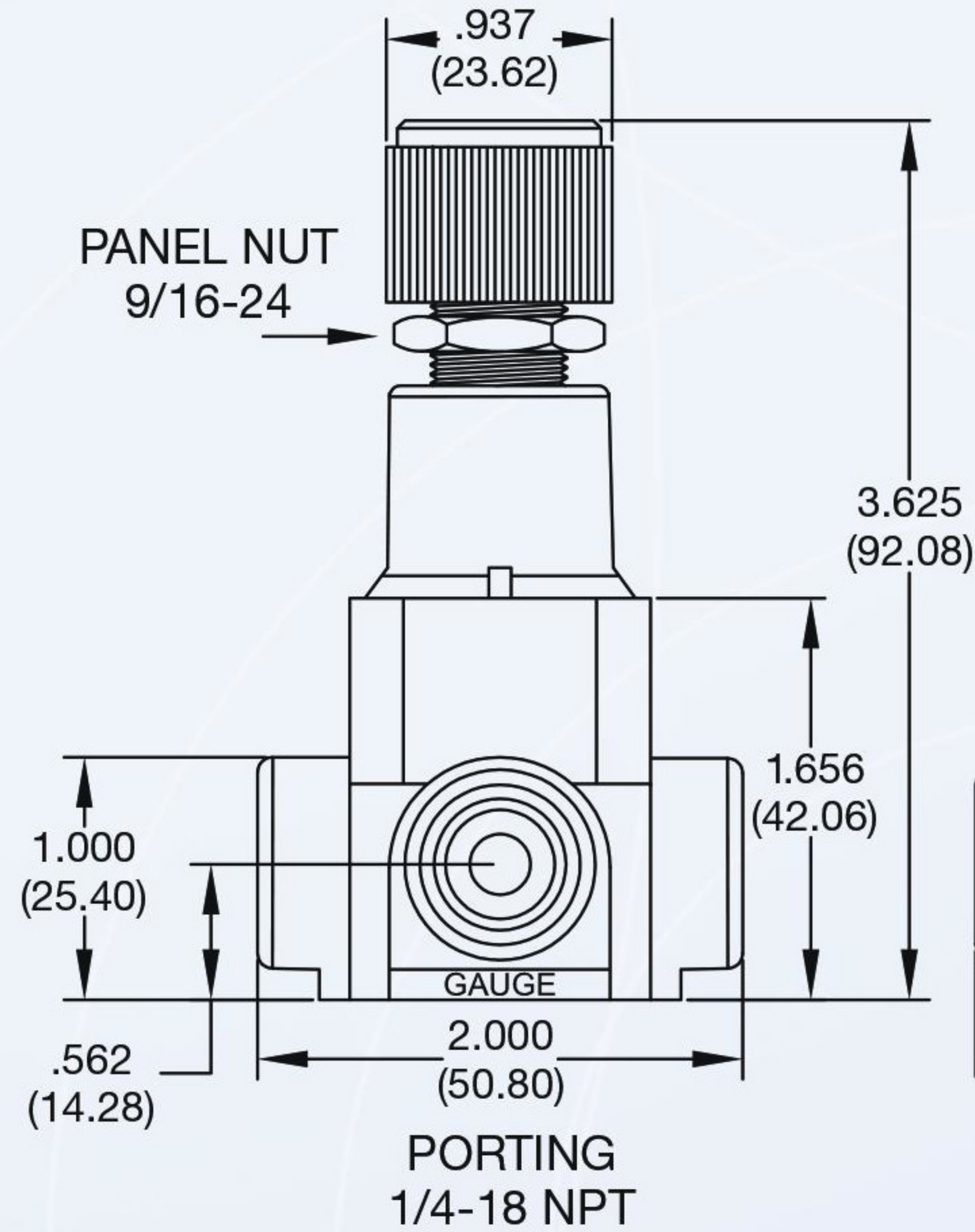
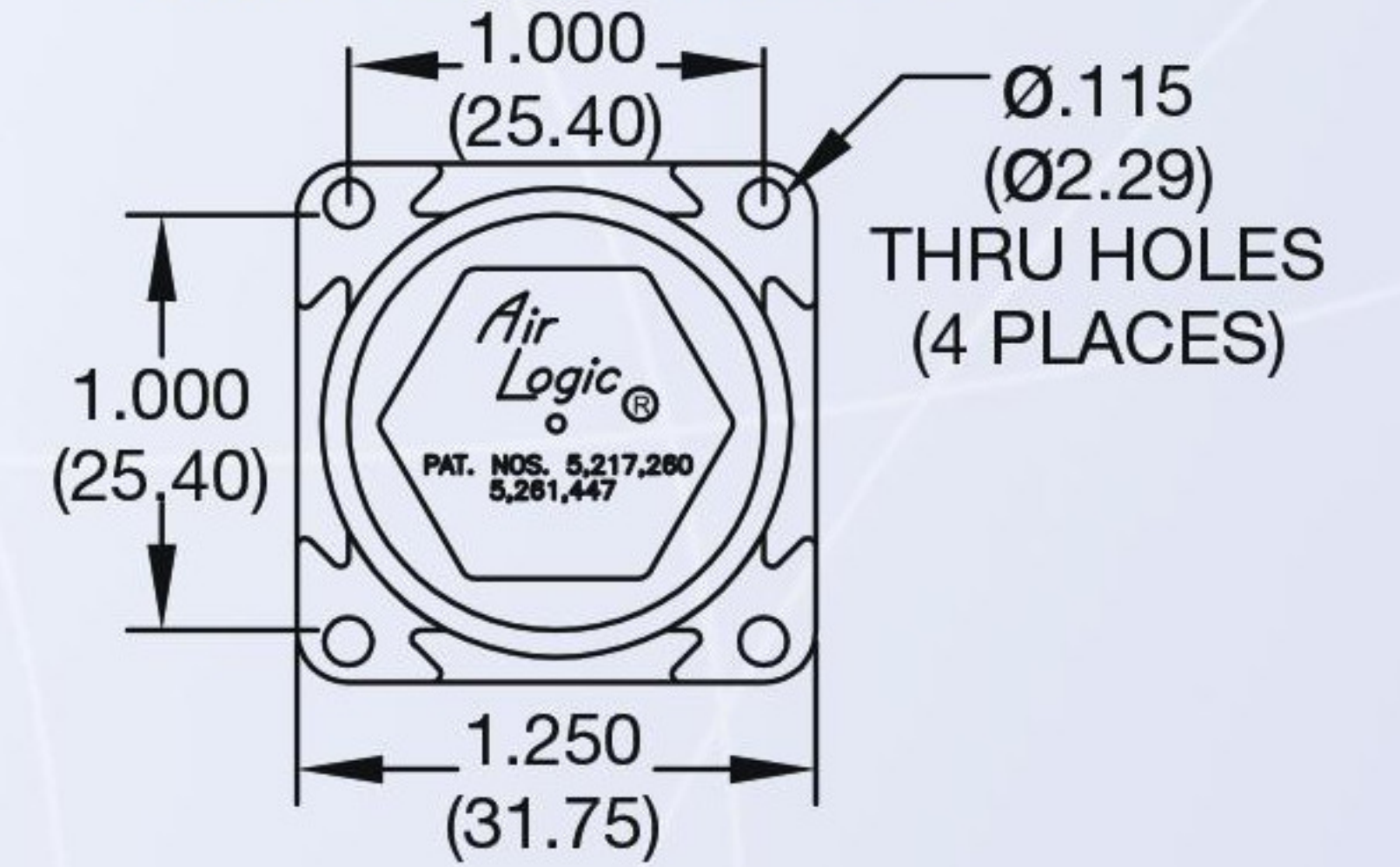


DIMENSIONS () = Metric Dimensions



Standard Mount



Manifold Mount

